

## Description

The HXR6101 Trans-impedance Limiting Amplifier is targeted at the optical links market. Together with a PIN detector, high-capacity, high-availability optical links can be designed for datacom applications.

The 3.3V SiGe device integrates the trans-impedance pre-amplifier, the limiting post-amplifier and a versatile CML output stage for a single 16 Gbps channel.

## Typical Applications

- IEEE 802.3ae Ethernet transceivers
- InfiniBand QDR & FDR active cables
- Proprietary optical modules

## Features

- 20  $\mu$ App receiver sensitivity for  $10^{-12}$  BER at 10.3 Gbps
- Better than 3 mApp overload
- 60 mW power consumption with low power setting
- Adjustable output swing size and pre-emphasis mode and signal detect threshold
- A/D read-out of temperature, RSSI information

## Ordering Information

Part	Temp Range	Pin-Package
HXR6101-DNT	0°C to +85°C	Bare Die 750um x 750um
HXR6101-EVB	Room Temp	Evaluation Board

For price, delivery schedules, and to place orders, please contact IDT: [www.IDT.com/go/sales](http://www.IDT.com/go/sales)

## Block Diagram

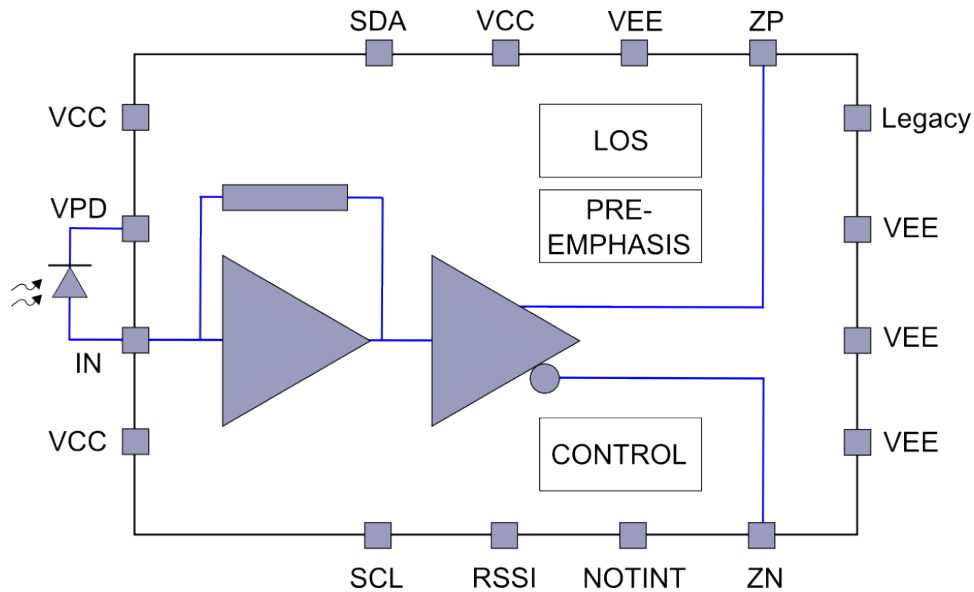


Figure 1: Block Diagram



Corporate Headquarters  
6024 Silver Creek Valley Road  
San Jose, CA 95138  
[www.IDT.com](http://www.IDT.com)

Sales  
1-800-345-7015 or  
408-284-8200  
Fax: 408-284-2775  
[www.IDT.com/go/sales](http://www.IDT.com/go/sales)

Tech Support  
[www.IDT.com/go/support](http://www.IDT.com/go/support)

DISCLAIMER Integrated Device Technology, Inc. (IDT) and its affiliated companies (herein referred to as "IDT") reserve the right to modify the products and/or specifications described herein at any time, without notice, at IDT's sole discretion. Performance specifications and operating parameters of the described products are determined in an independent state and are not guaranteed to perform the same way when installed in customer products. The information contained herein is provided without representation or warranty of any kind, whether express or implied, including, but not limited to, the suitability of IDT's products for any particular purpose, an implied warranty of merchantability, or non-infringement of the intellectual property rights of others. This document is presented only as a guide and does not convey any license under intellectual property rights of IDT or any third parties.

IDT's products are not intended for use in applications involving extreme environmental conditions or in life support systems or similar devices where the failure or malfunction of an IDT product can be reasonably expected to significantly affect the health or safety of users. Anyone using an IDT product in such a manner does so at their own risk, absent an express, written agreement by IDT.

Integrated Device Technology, IDT and the IDT logo are trademarks or registered trademarks of IDT and its subsidiaries in the United States and other countries. Other trademarks used herein are the property of IDT or their respective third party owners. For datasheet type definitions and a glossary of common terms, visit [www.idt.com/go/glossary](http://www.idt.com/go/glossary). All contents of this document are copyright of Integrated Device Technology, Inc. All rights reserved.