

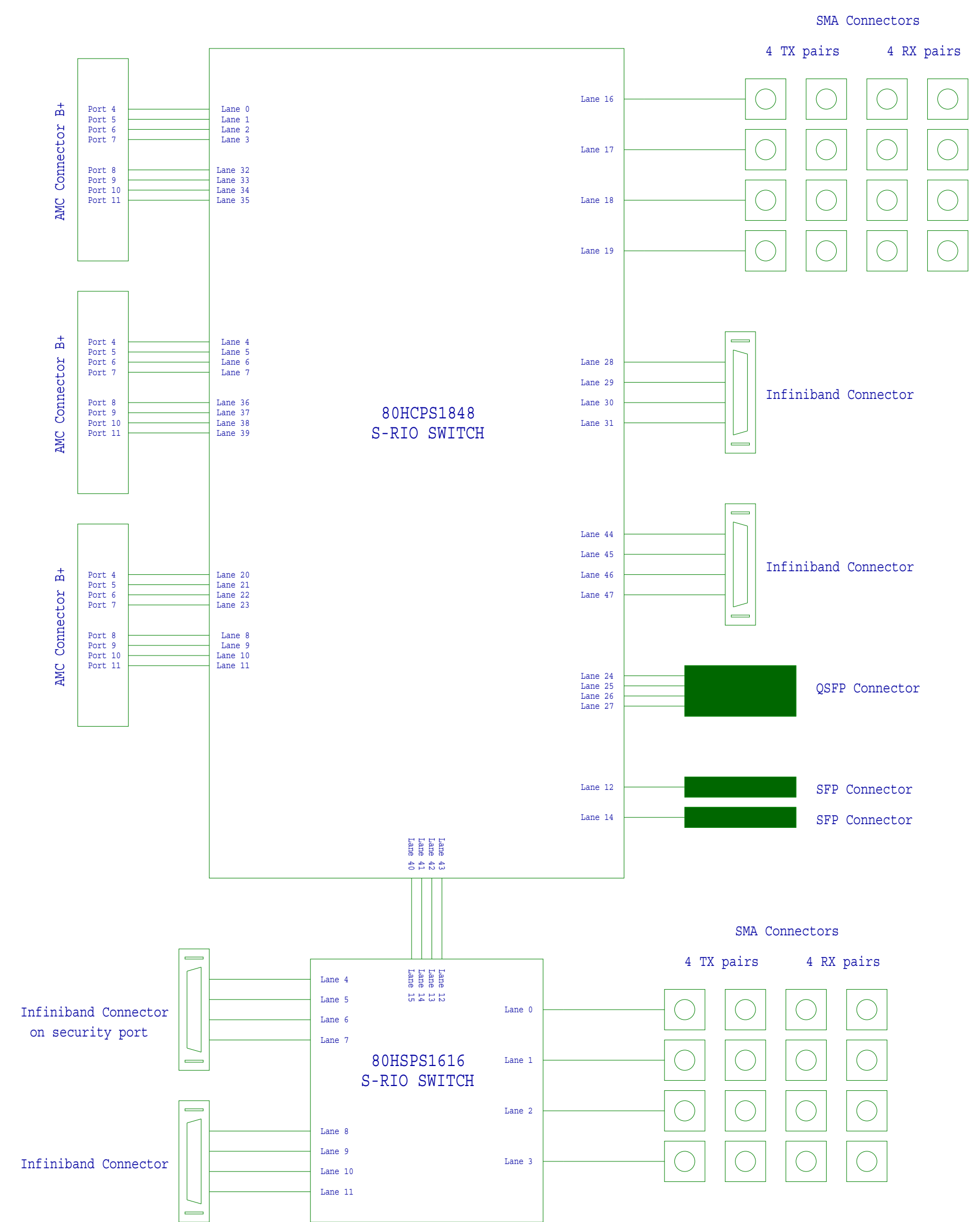
Serial RapidIO Gen2 Development Platform (SRDP2)

- Page 1 - Title Sheet
- Page 2 - Block Diagram
- Page 3 - 80HCPS1848 Lanes 0-15
- Page 4 - 80HCPS1848 Lanes 16-31
- Page 5 - 80HCPS1848 Lanes 32-47
- Page 6 - 80HCPS1848 Config
- Page 7 - 80HCPS1848 Power and Decoupling
- Page 8 - 80HCPS1848 Power and Ground
- Page 9 - 80HSPS1616 Lanes 0-15
- Page 10 - 80HSPS1616 Config
- Page 11 - 80HSPS1616 Power and Ground
- Page 12 - AMC-1 Connector
- Page 13 - AMC-2 Connector
- Page 14 - AMC-3 Connector
- Page 15 - AMC 1 & 2 Hotswap Controllers
- Page 16 - AMC 3 Hotswap Controller
- Page 17 - SMA Field
- Page 18 - SFP Connectors
- Page 19 - QSFP Connector
- Page 20 - INFINIBAND Connectors
- Page 21 - Clocking
- Page 22 - I2C and JTAG Interface
- Page 23 - ATX Power
- Page 24 - Voltage Regulators for 80HCPS1848
- Page 25 - Voltage Regulators for 80HSPS1616



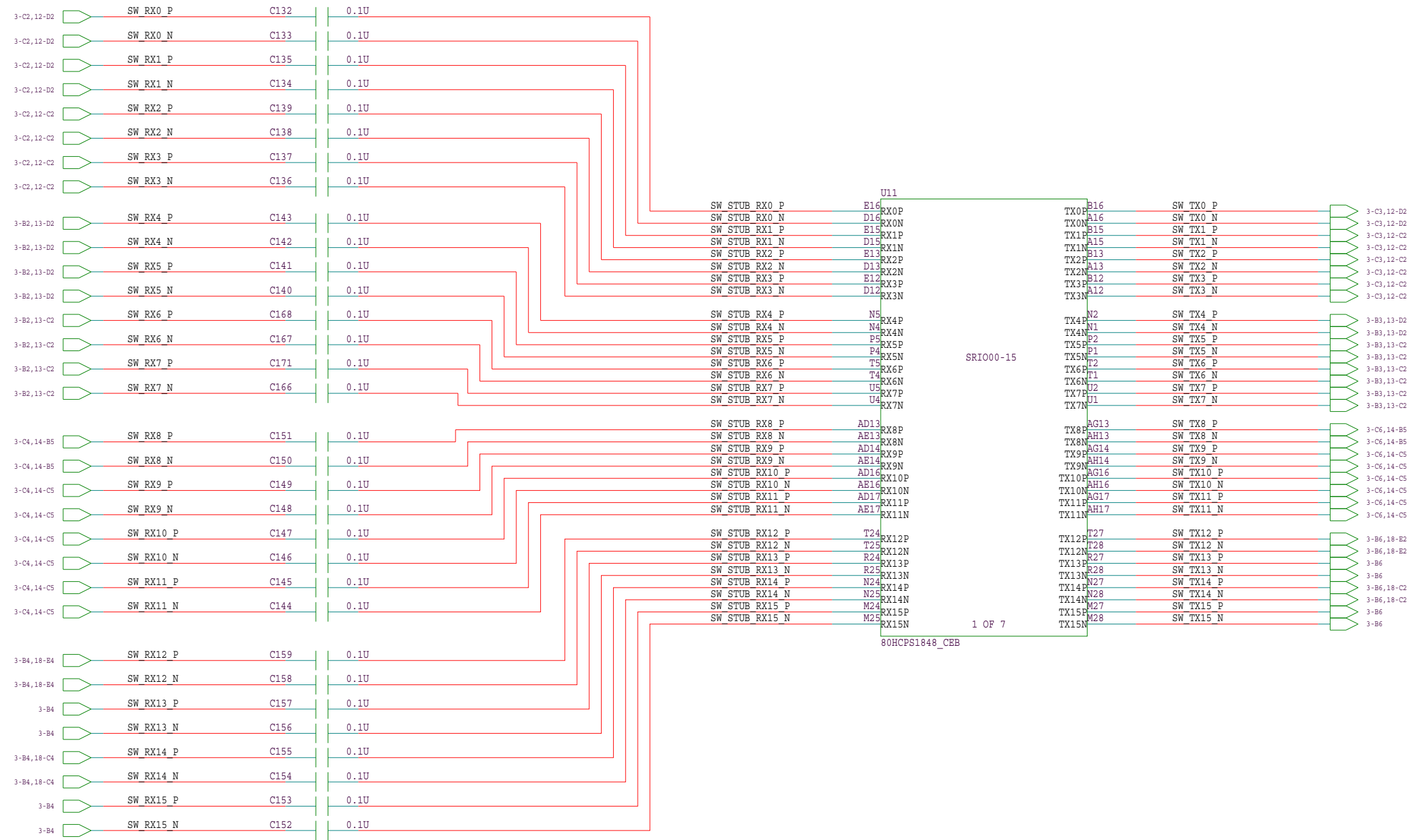
TITLE :			
TITLE SHEET			
SIZE	DRAWING NUMBER :	Version:	DESIGNER :
C			
LAST MODIFIED DATE :		SHEET 1 OF 25	
7-22-2010_16:46			

Block Diagram

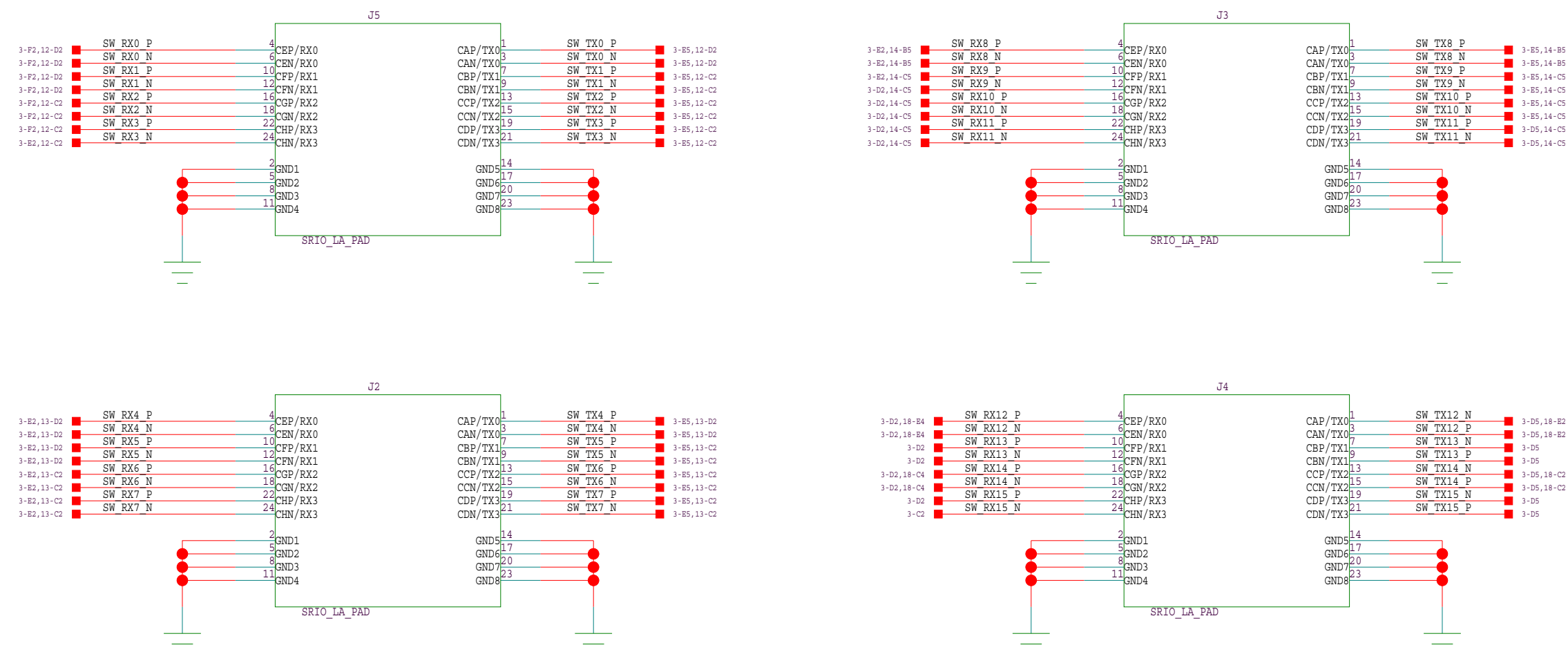


TITLE : BLOCK DIAGRAM			
SIZE : C	DRAWING NUMBER :	Version:	DESIGNER :
LAST MODIFIED DATE : 7-22-2010_16:46		SHEET 2 OF 25	

80HCPS1848 Lanes 0-15

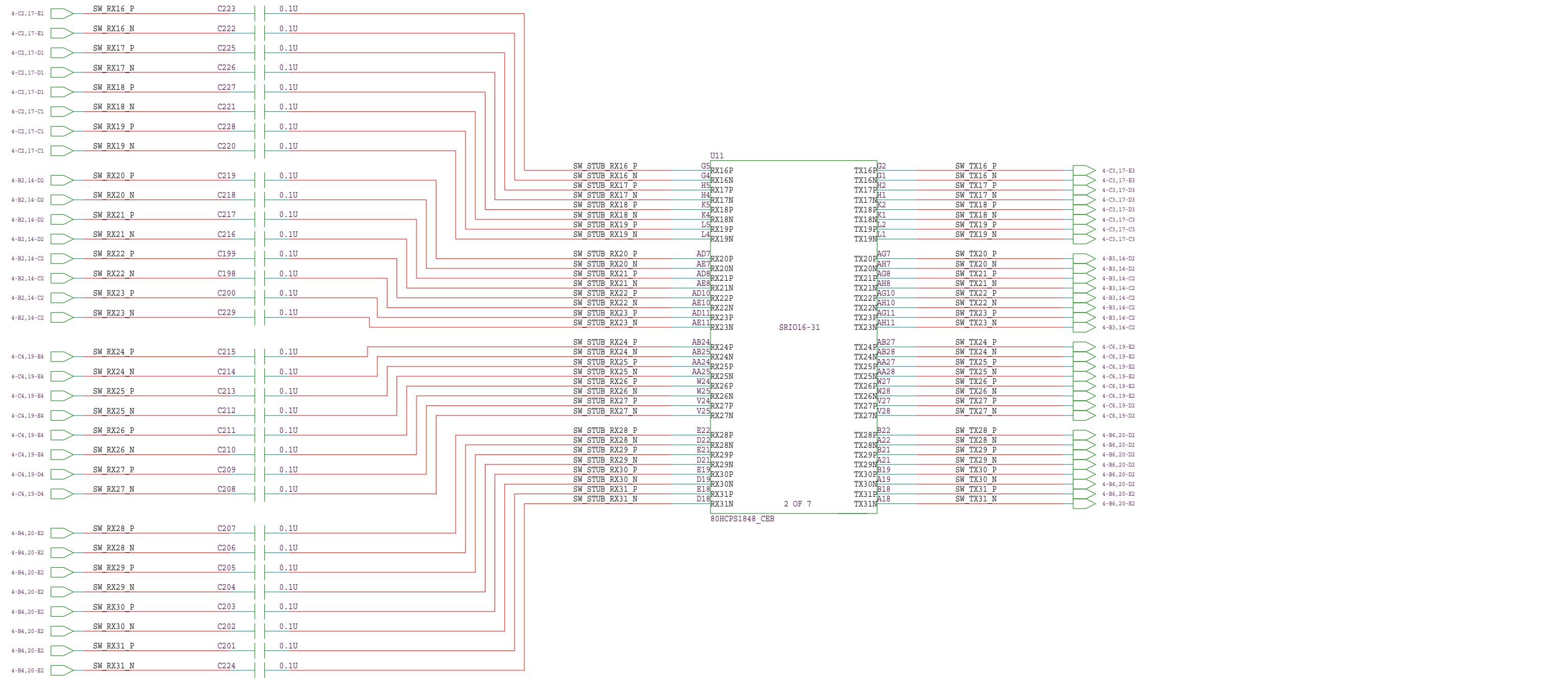


L.A. PADS

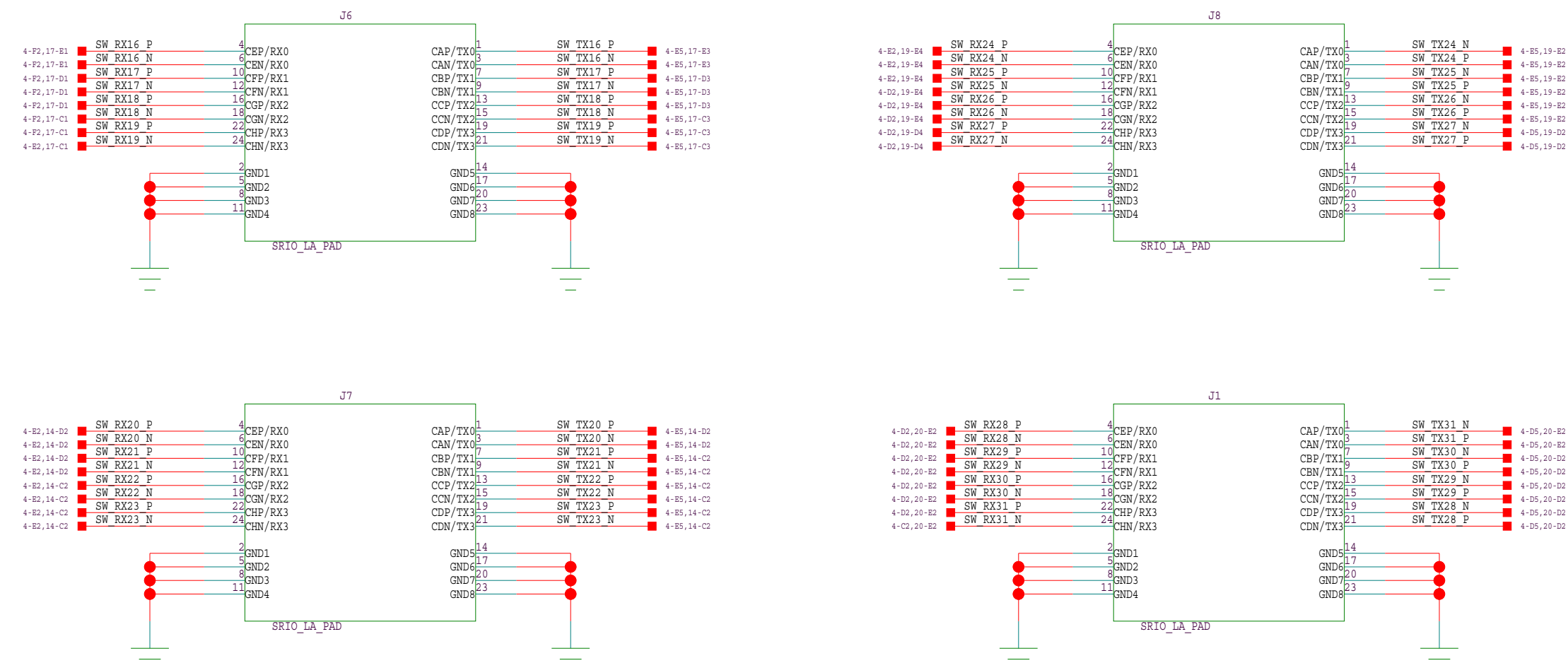


TITLE : 80HCPS1848 LANES 0-15			
SIZE	DRAWING NUMBER :	Version:	DESIGNER :
C			
LAST MODIFIED DATE : 7-22-2010_16:46		SHEET 3 OF 25	

80HCPS1848 Lanes 16-31

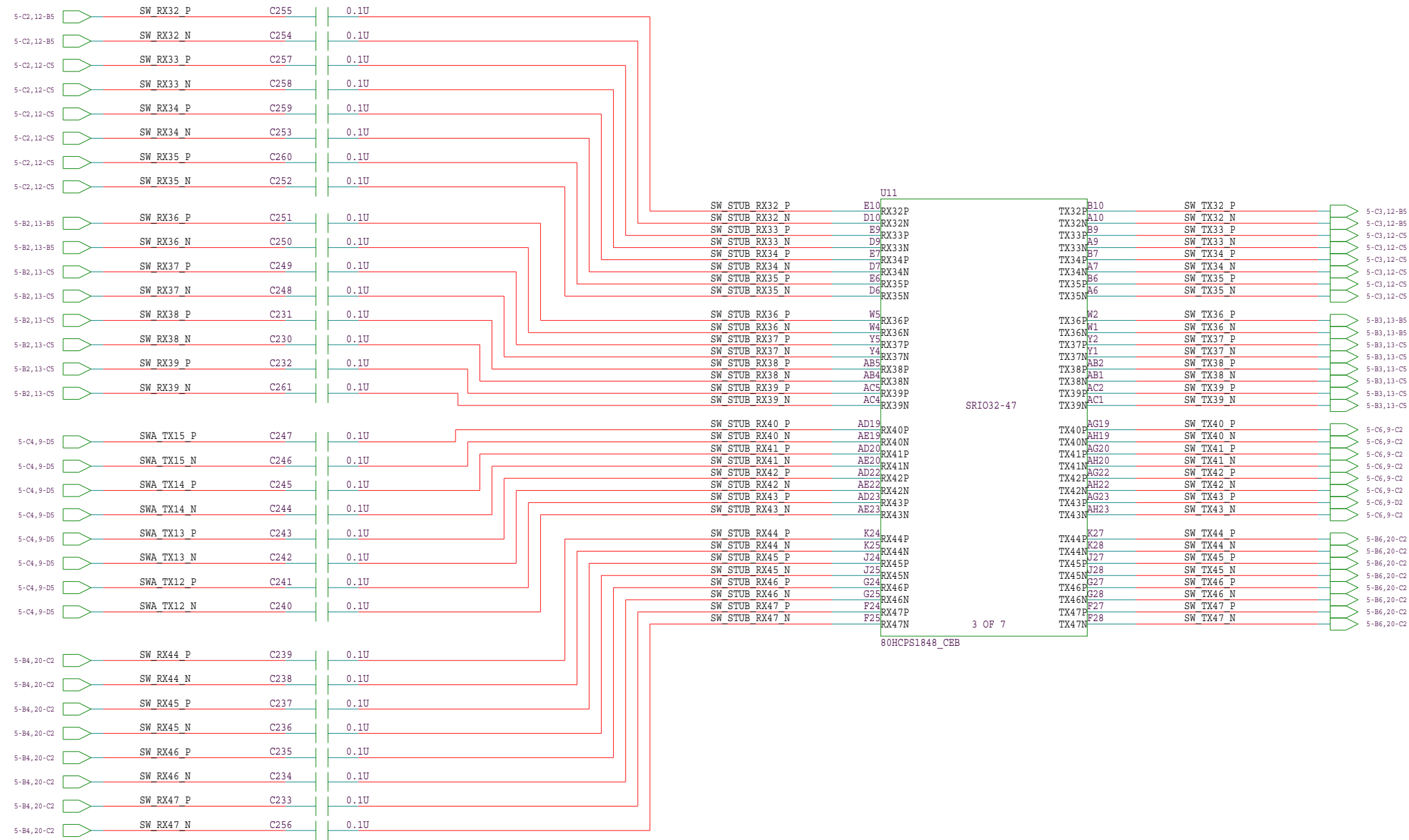


L.A. PADS

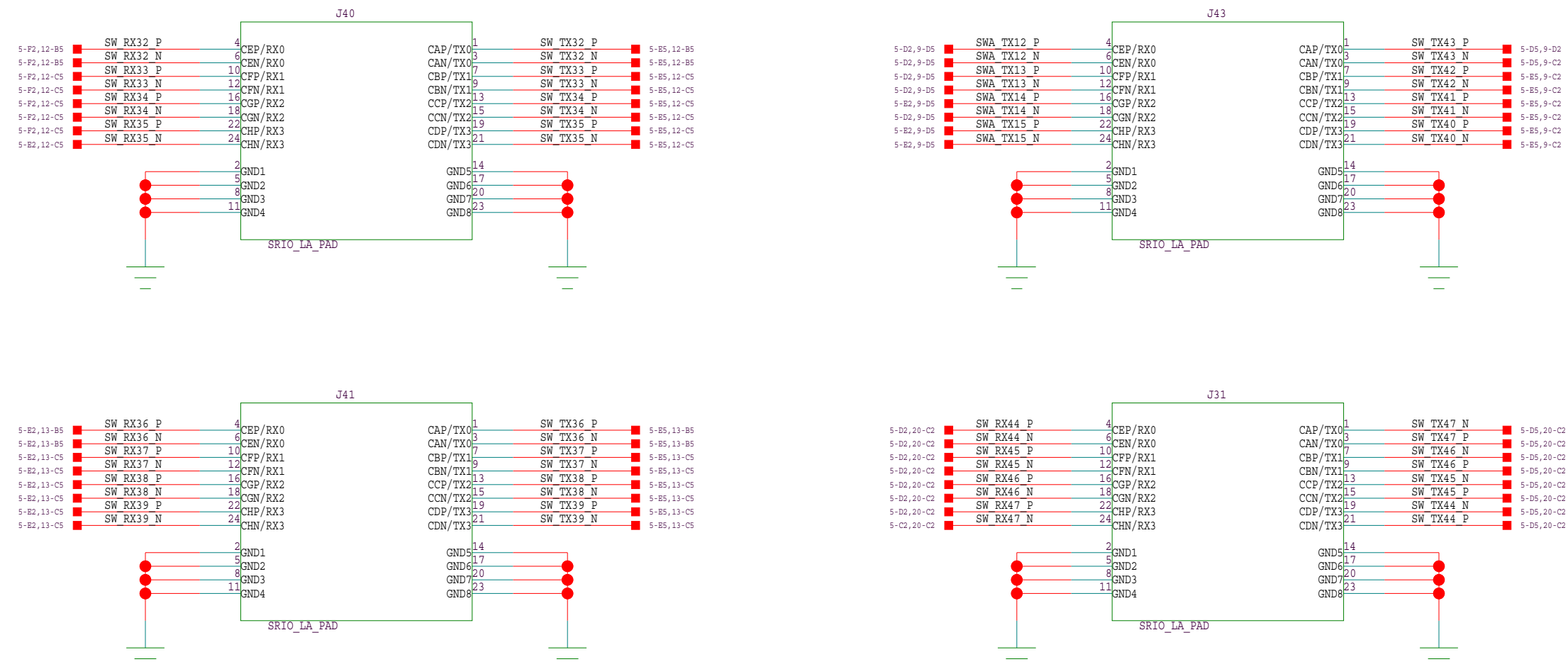


TITLE : 80HCPS1848 LANES 16-31			
SIZE	DRAWING NUMBER :	Version:	DESIGNER :
C			
LAST MODIFIED DATE : 7-22-2010_16:46		SHEET 4 OF 25	

80HCPS1848 Lanes 32-47

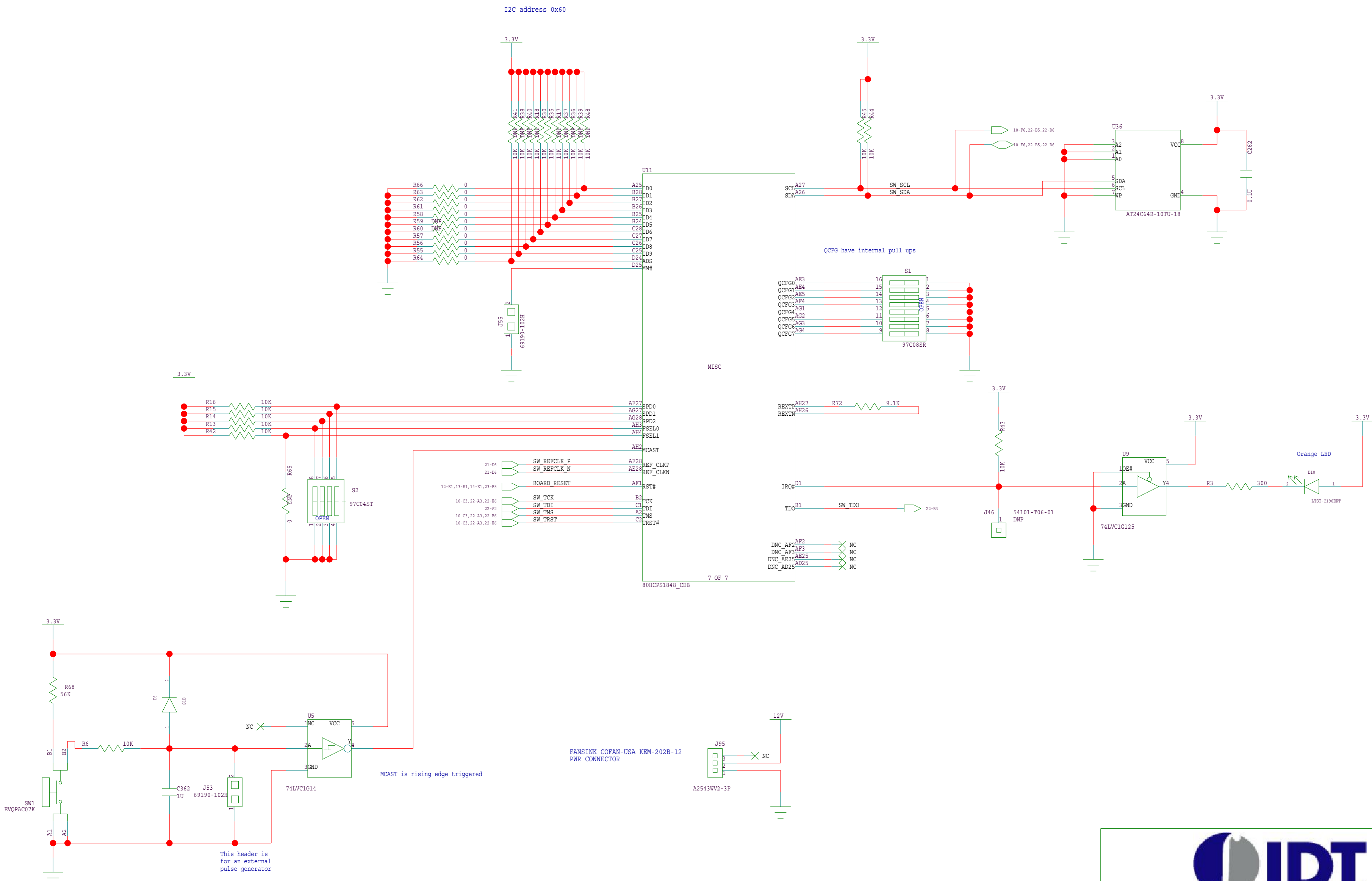


L.A. PADS



TITLE : 80HCPS1848 LANES 32-47			
SIZE	DRAWING NUMBER :	Version:	DESIGNER :
C			
LAST MODIFIED DATE : 7-22-2010_16:46		SHEET 5 OF 25	

80HCPS1848 Config

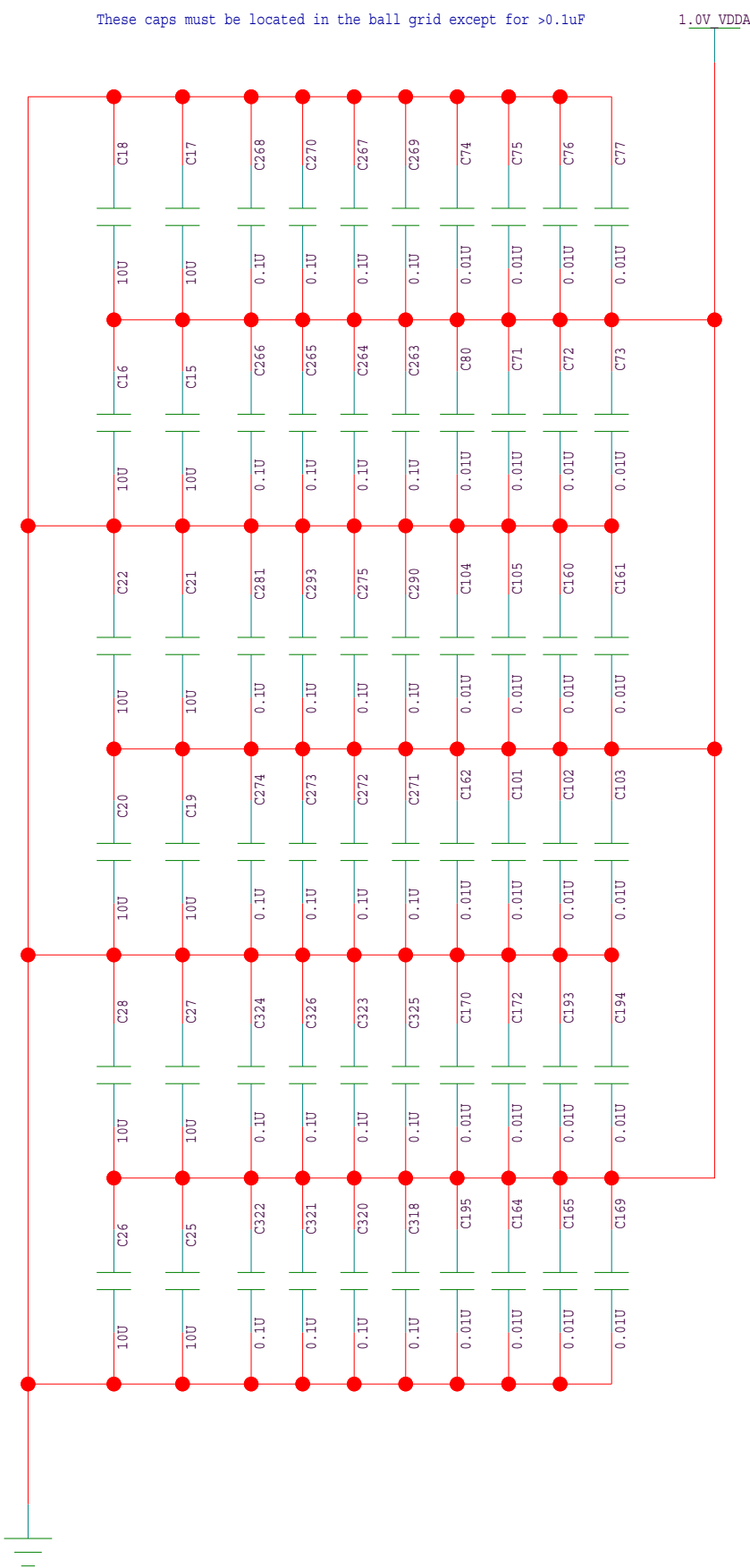


TITLE :				80HCPS1848 CONFIG		
SIZE	DRAWING NUMBER :	Version:	DESIGNER :			
C						
LAST MODIFIED DATE :			SHEET			
7-22-2010_16:46			6 OF 25			

80HCPS1848 Power and Decoupling

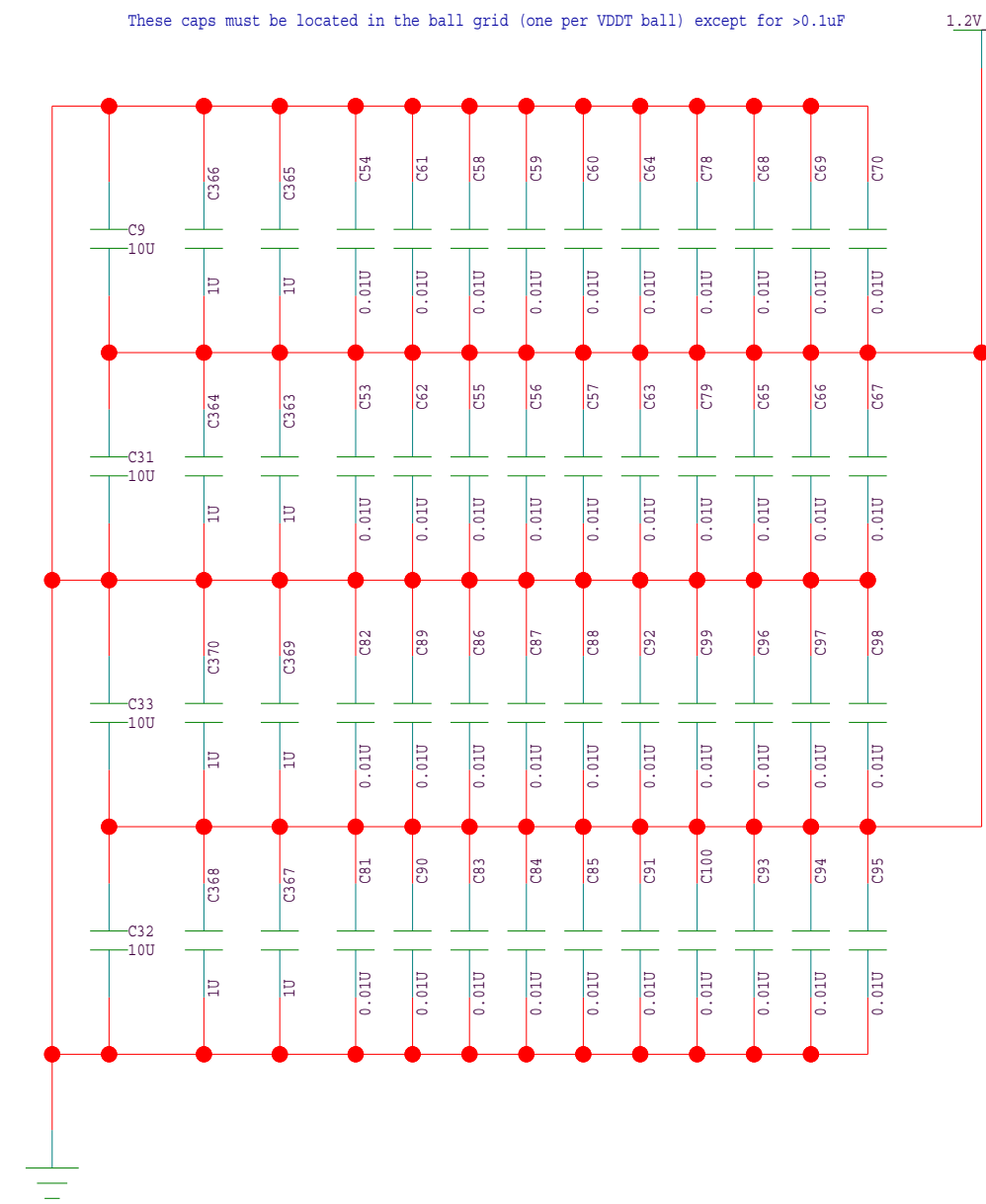
Decoupling 1.0V_VDDA

These caps must be located in the ball grid except for >0.1uF



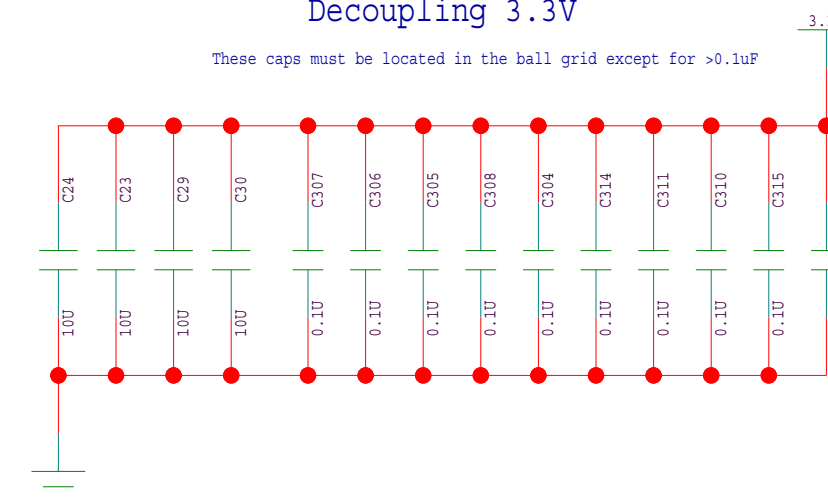
Decoupling 1.2V_VDDT

These caps must be located in the ball grid (one per VDDT ball) except for >0.1uF



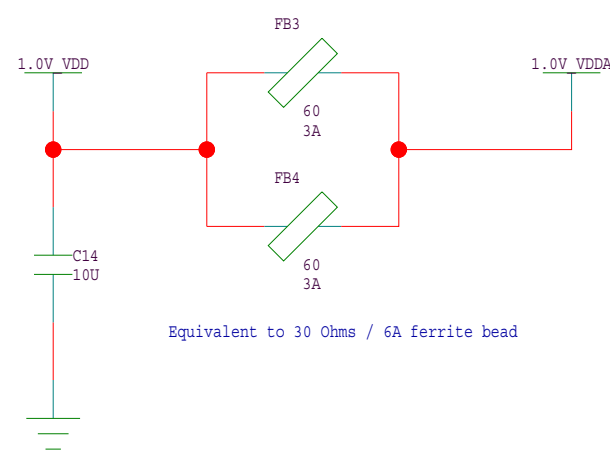
Decoupling 3.3V

These caps must be located in the ball grid except for >0.1uF

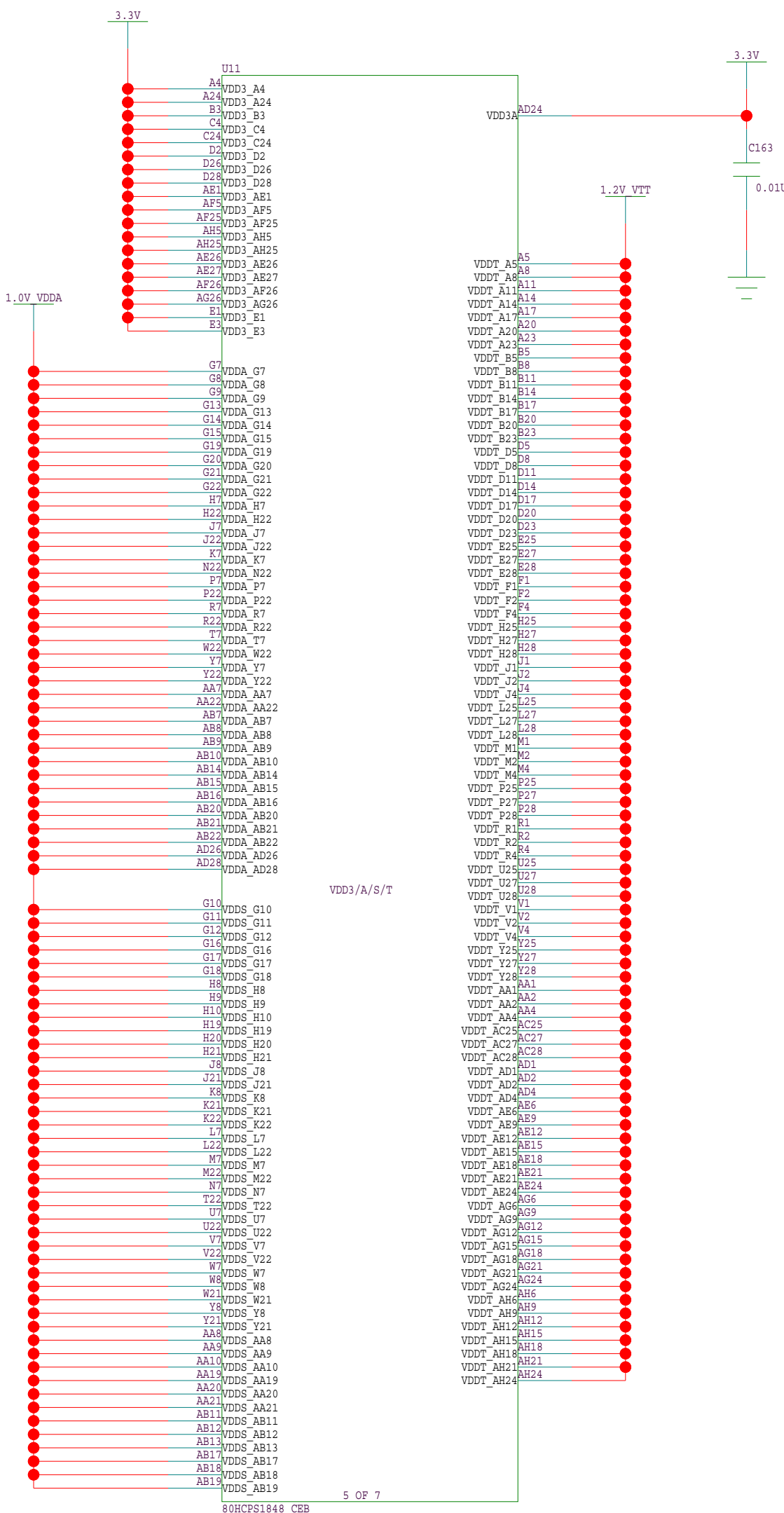


Board layout note:

Make two separate power planes: 1.0V_VDD and 1.0V_VDDA



Equivalent to 30 Ohms / 6A ferrite bead



TITLE : 80HCPS1848 POWER AND DECOUPLING

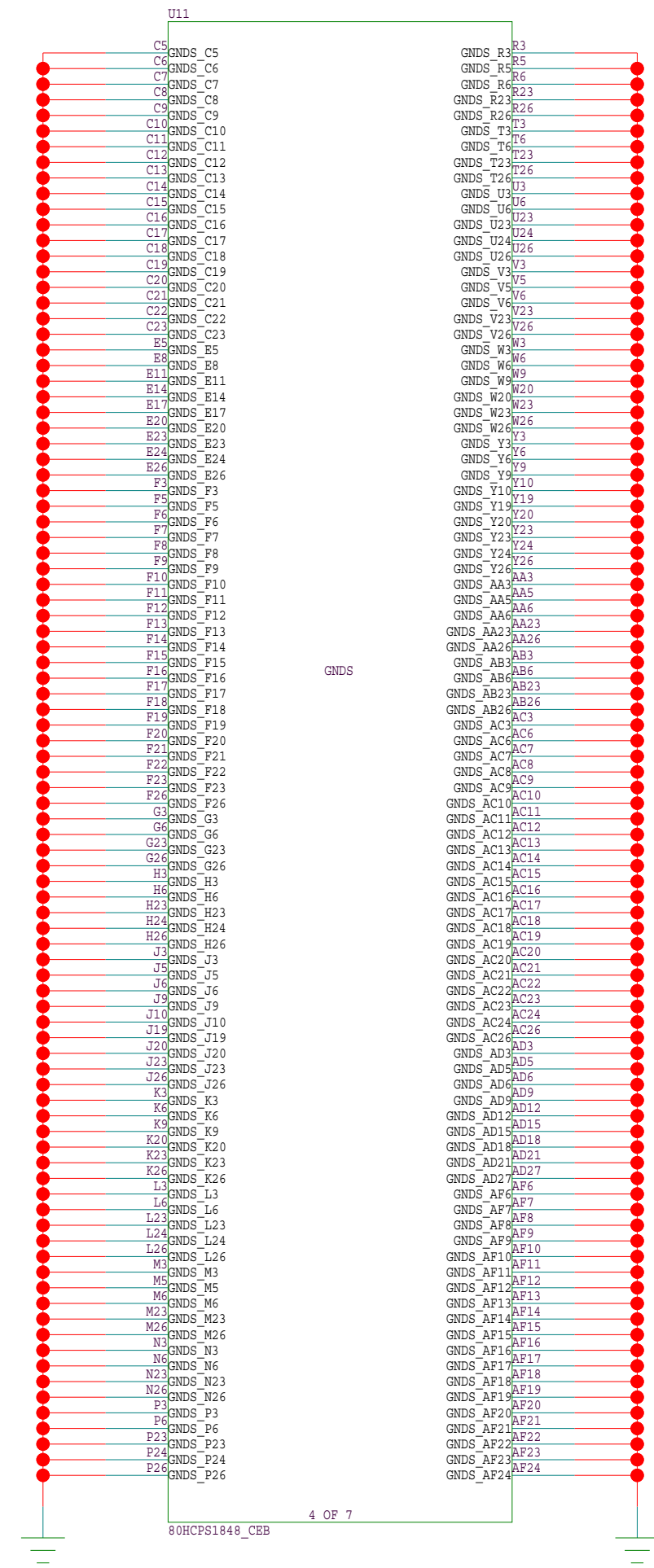
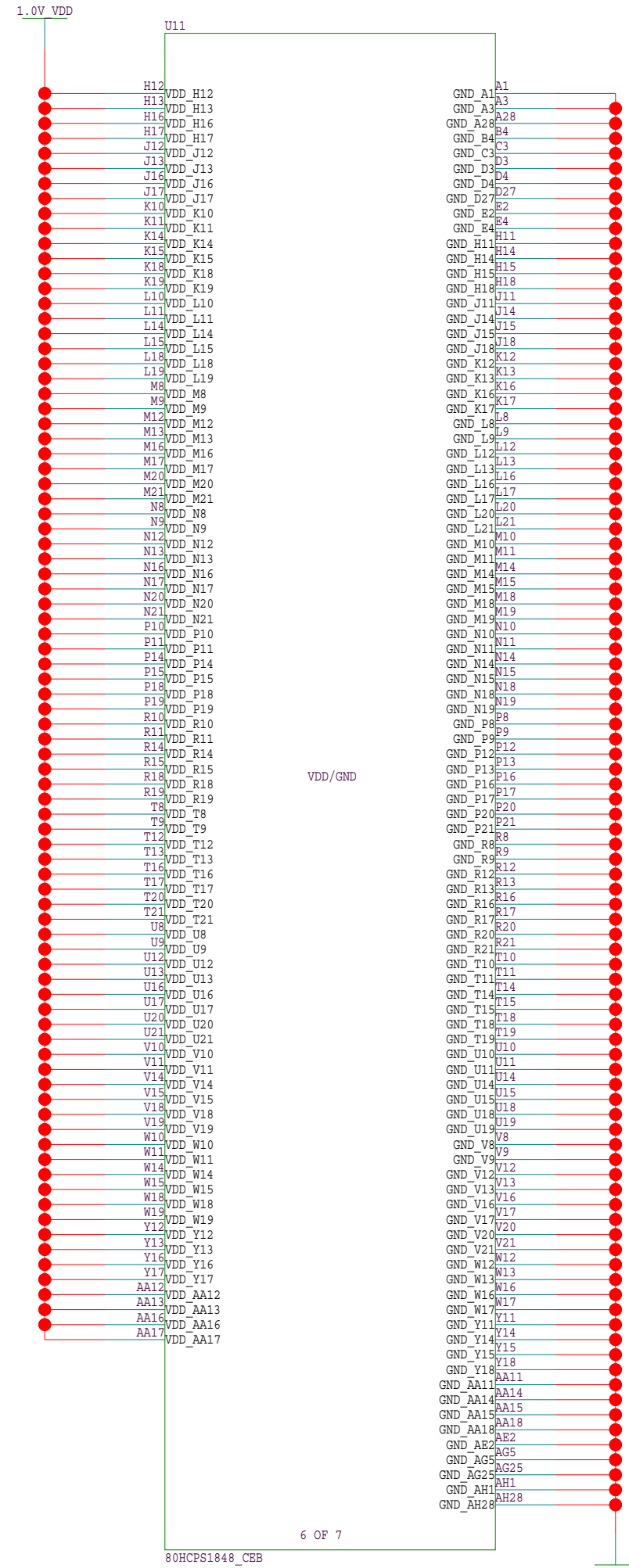
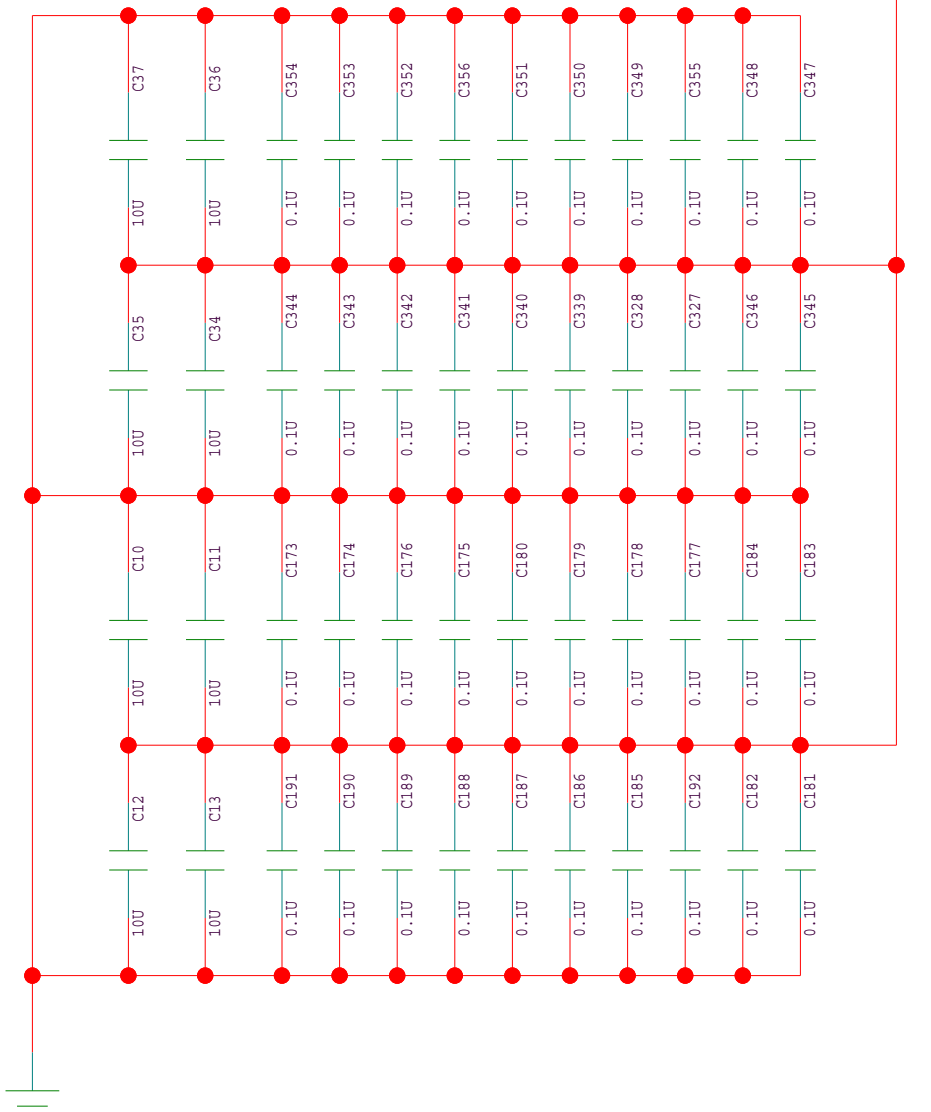
SIZE : DRAWING NUMBER : Version: DESIGNER :

LAST MODIFIED DATE : 7-22-2010_16:46 SHEET 7 OF 25

80HCPS1848 Power and Ground

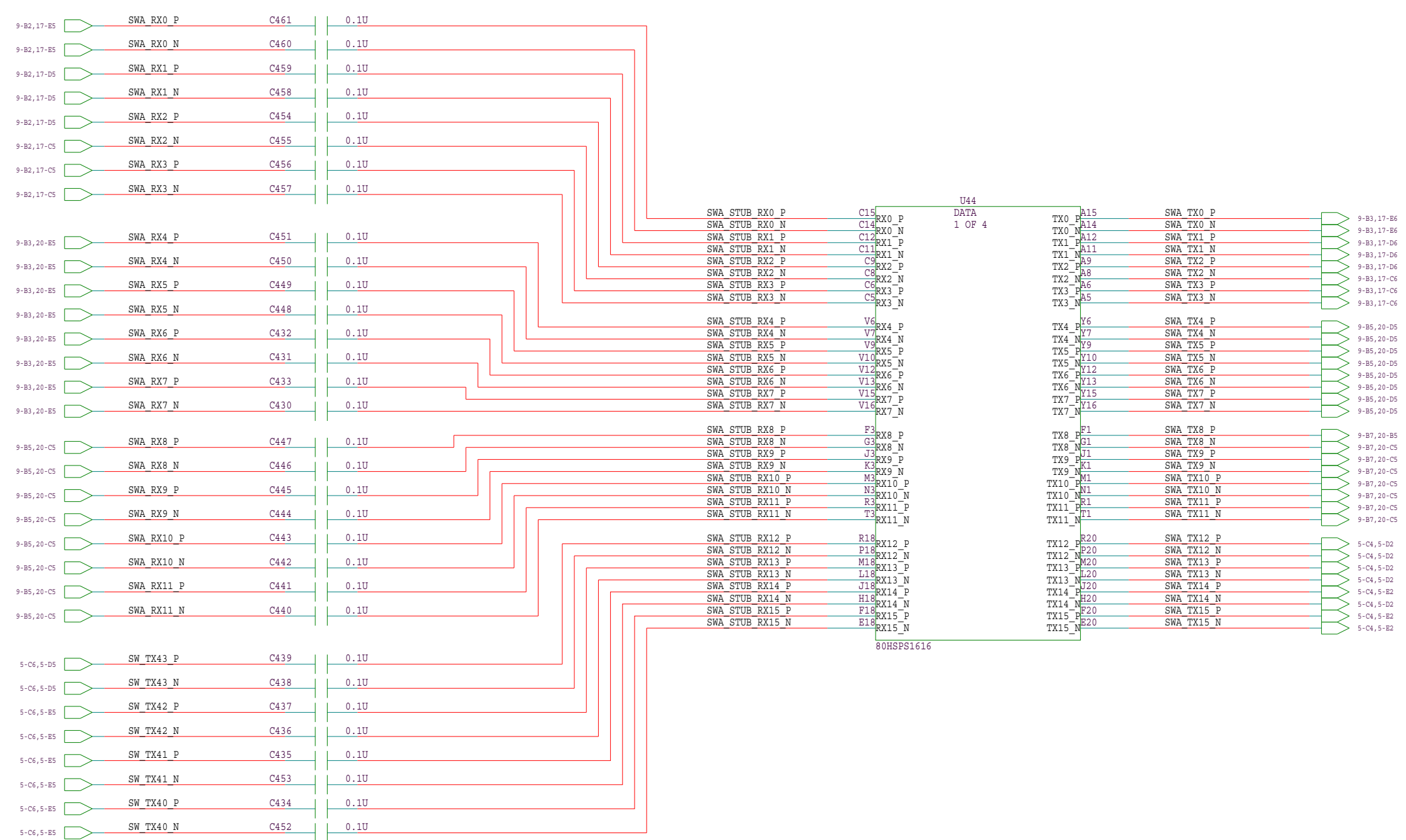
Decoupling 1.0V_VDD

Bulk decoupling is on the regulator page
Most of these caps must be located in the ball grid

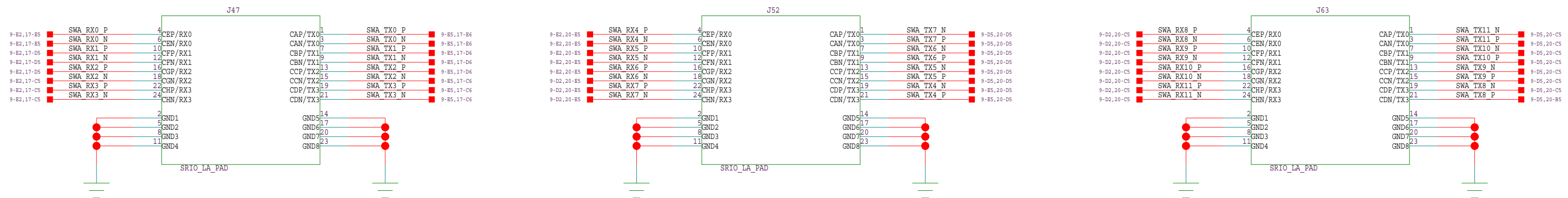


TITLE :			
80HCPS1848 POWER AND GROUND			
SIZE	DRAWING NUMBER :	Version:	DESIGNER :
C			
LAST MODIFIED DATE :		SHEET	
7-22-2010, 16:46		8 OF 25	

80HSPS1616 Ports

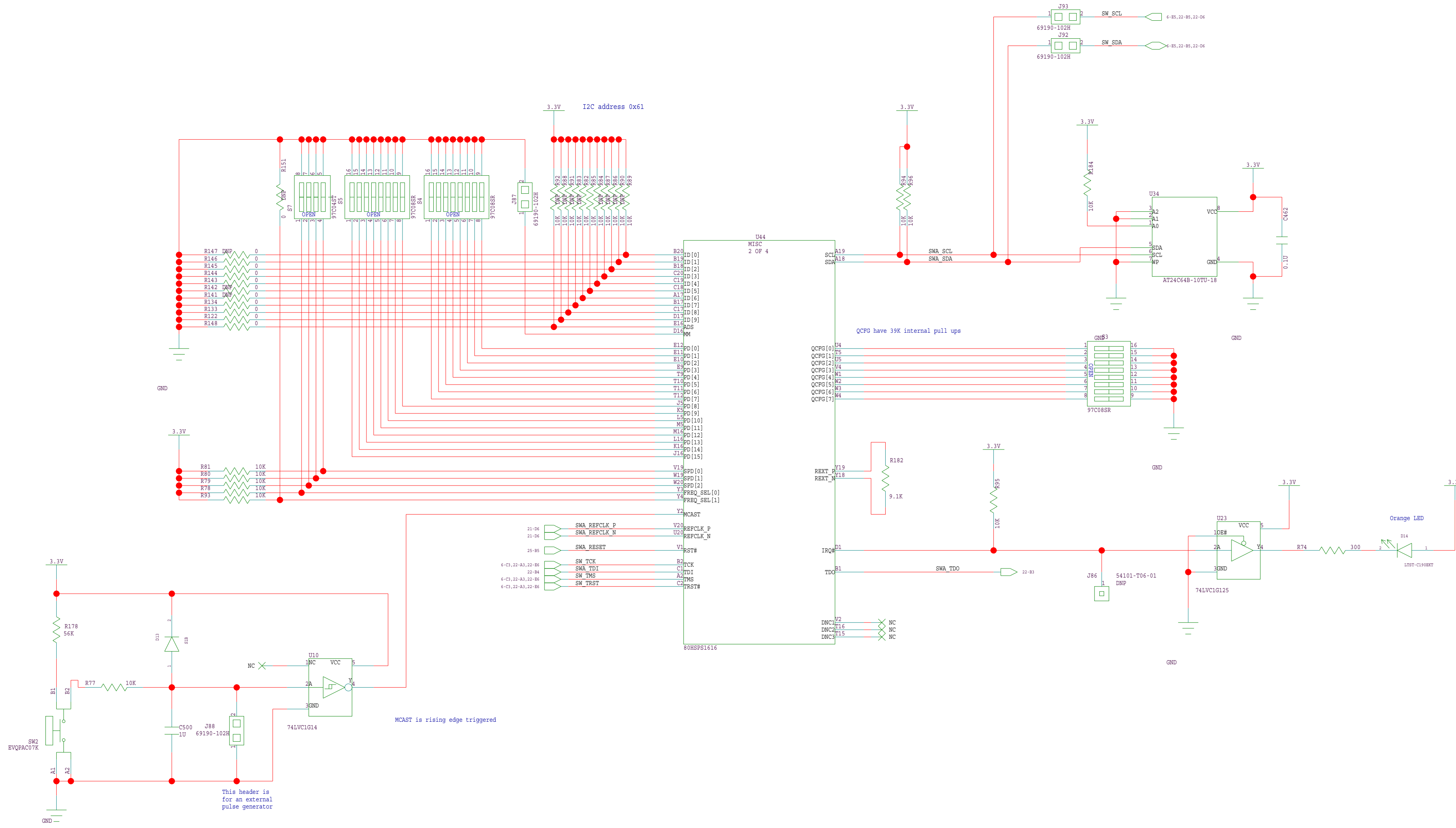


L.A. PADS



TITLE : 80HSPS1616 PORTS			
SIZE	DRAWING NUMBER :	Version:	DESIGNER :
C			
LAST MODIFIED DATE : 7-22-2010_16:46		SHEET 9 OF 25	

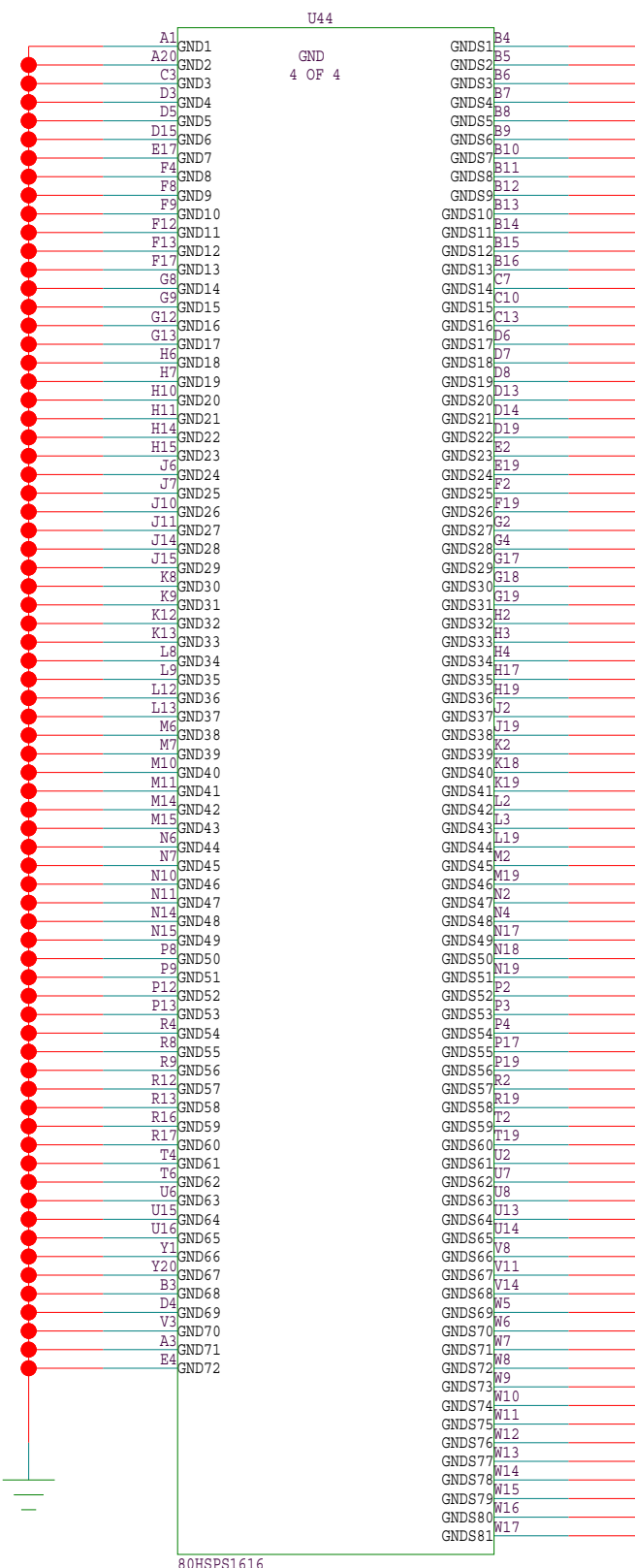
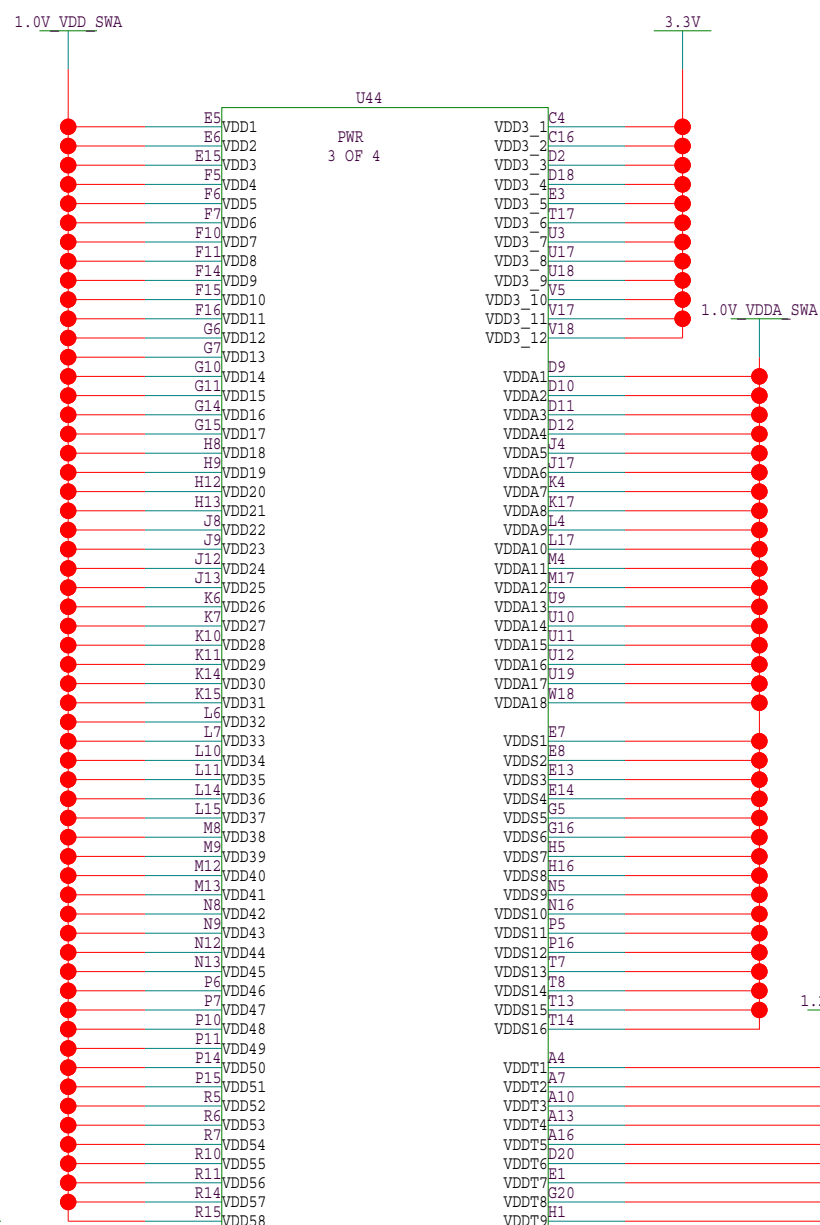
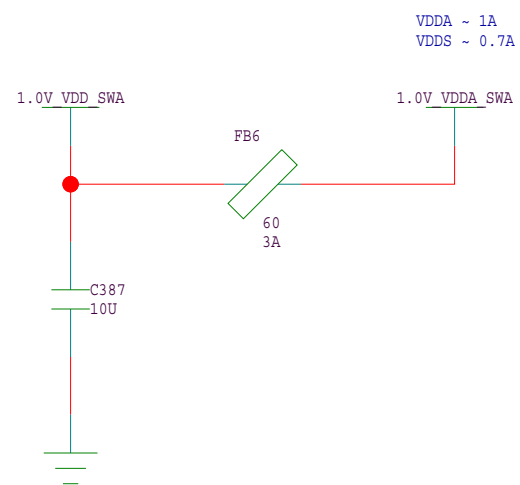
80HSPS1616 Config



TITLE : 80HSPS1616 CONFIG			
SIZE : C	DRAWING NUMBER :	Version :	DESIGNER :
LAST MODIFIED DATE : 7-22-2010_16:46		SHEET 10 OF 25	

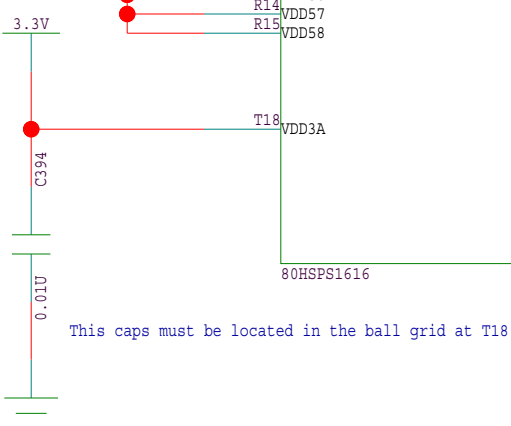
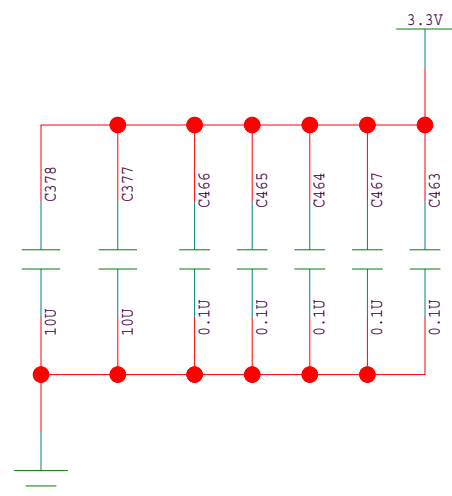
80HSPS1616 Power

Board layout note:
Make two separate power planes: 1.0V_VDD and 1.0V_VDDA



Decoupling 3.3V

These caps must be located in the ball grid except for >0.1uF

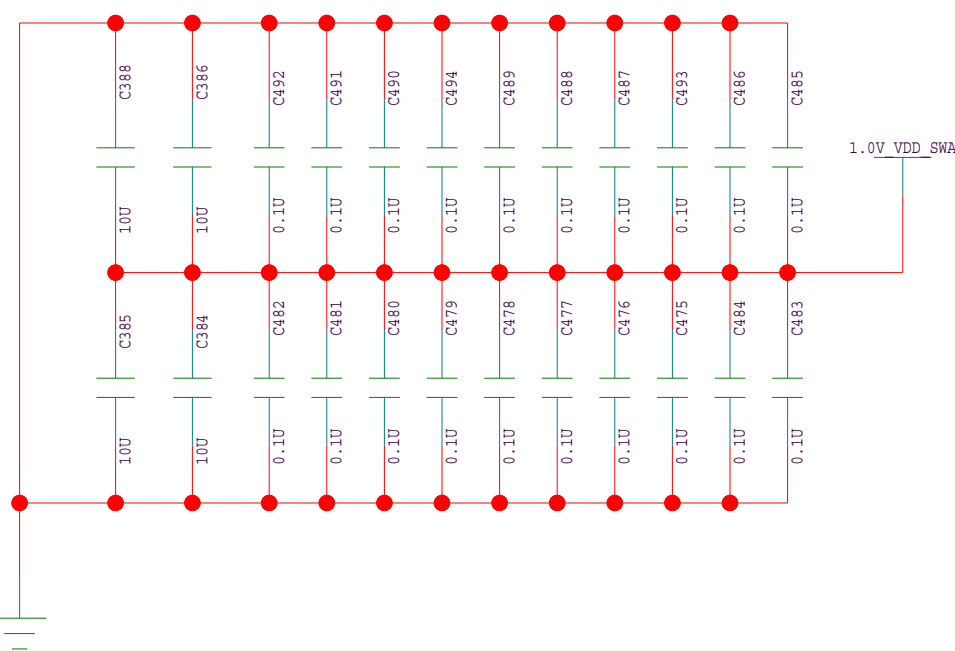


This caps must be located in the ball grid at T18

Decoupling 1.0V_VDD

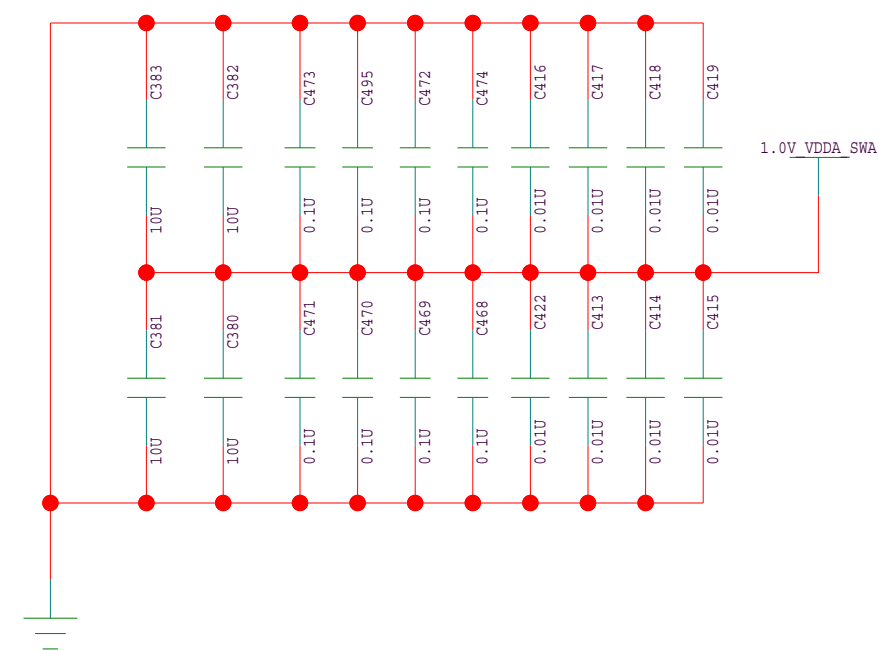
Bulk decoupling is on the regulator page

Most of these caps must be located in the ball grid



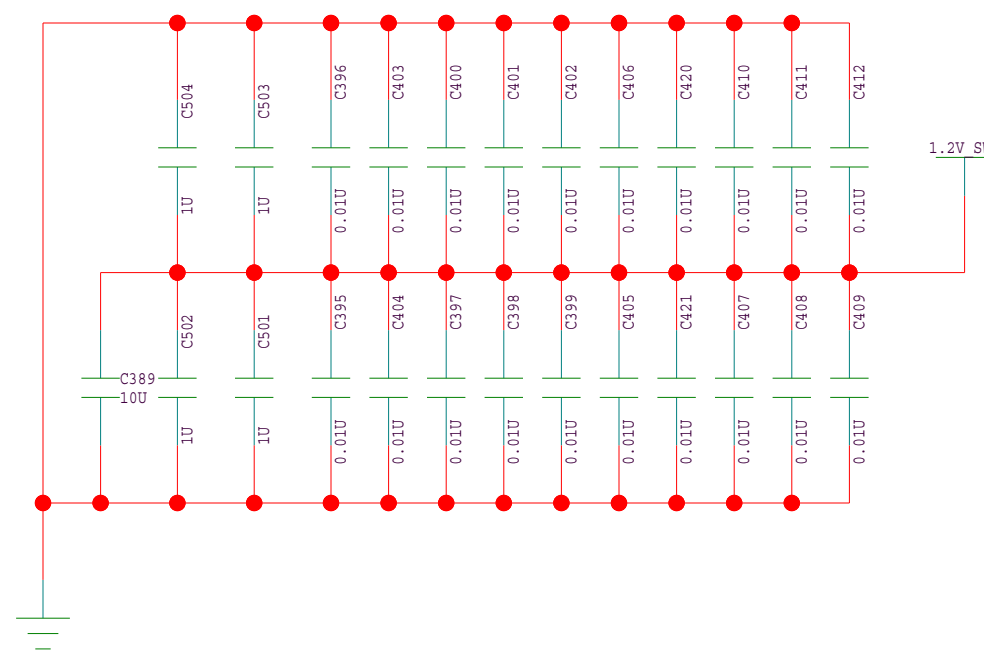
Decoupling 1.0V_VDDA

These caps must be located in the ball grid except for >0.1uF



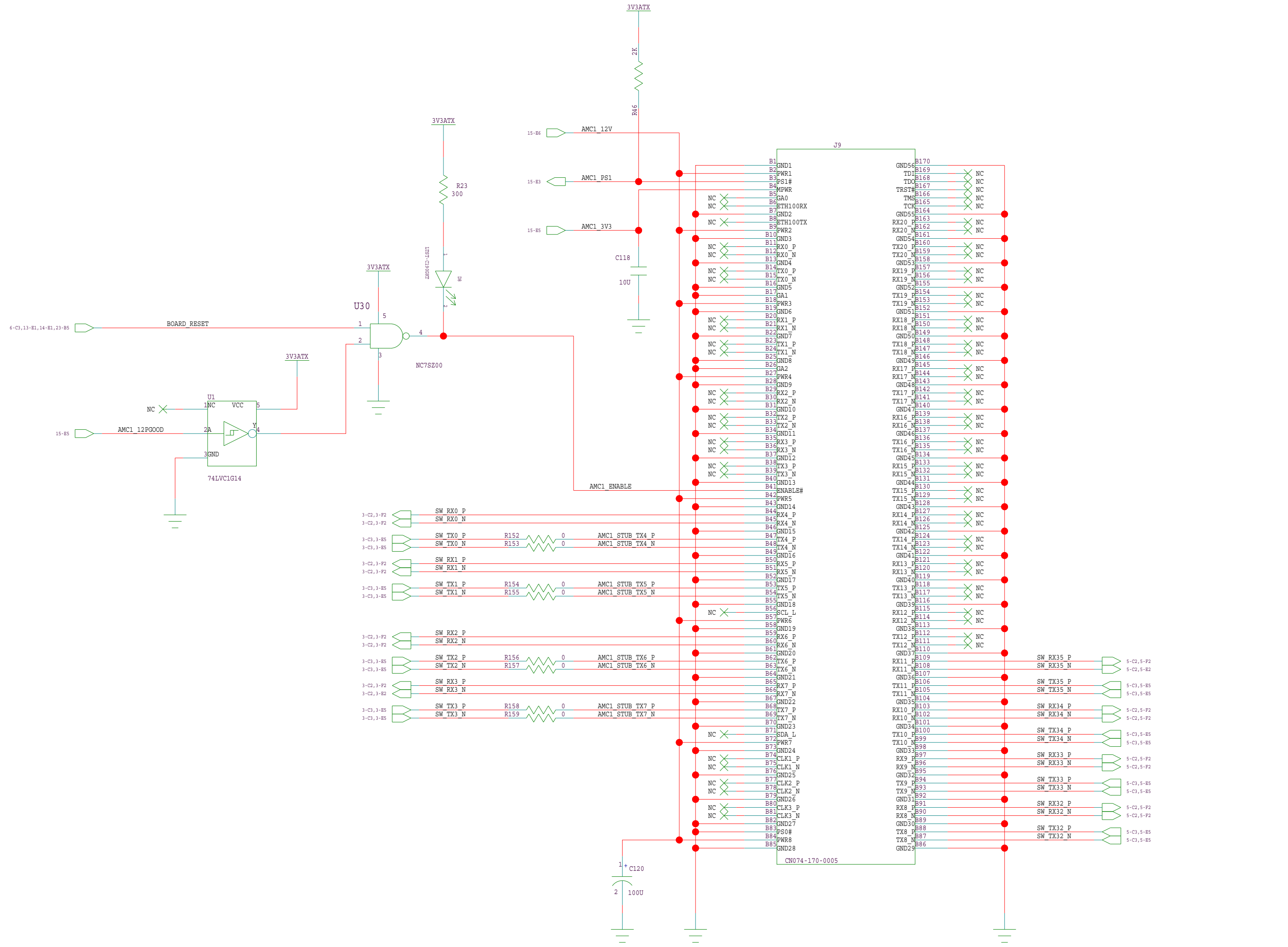
Decoupling 1.2V_VDDT

These caps must be located in the ball grid (one per VDDT ball) except for >0.1uF



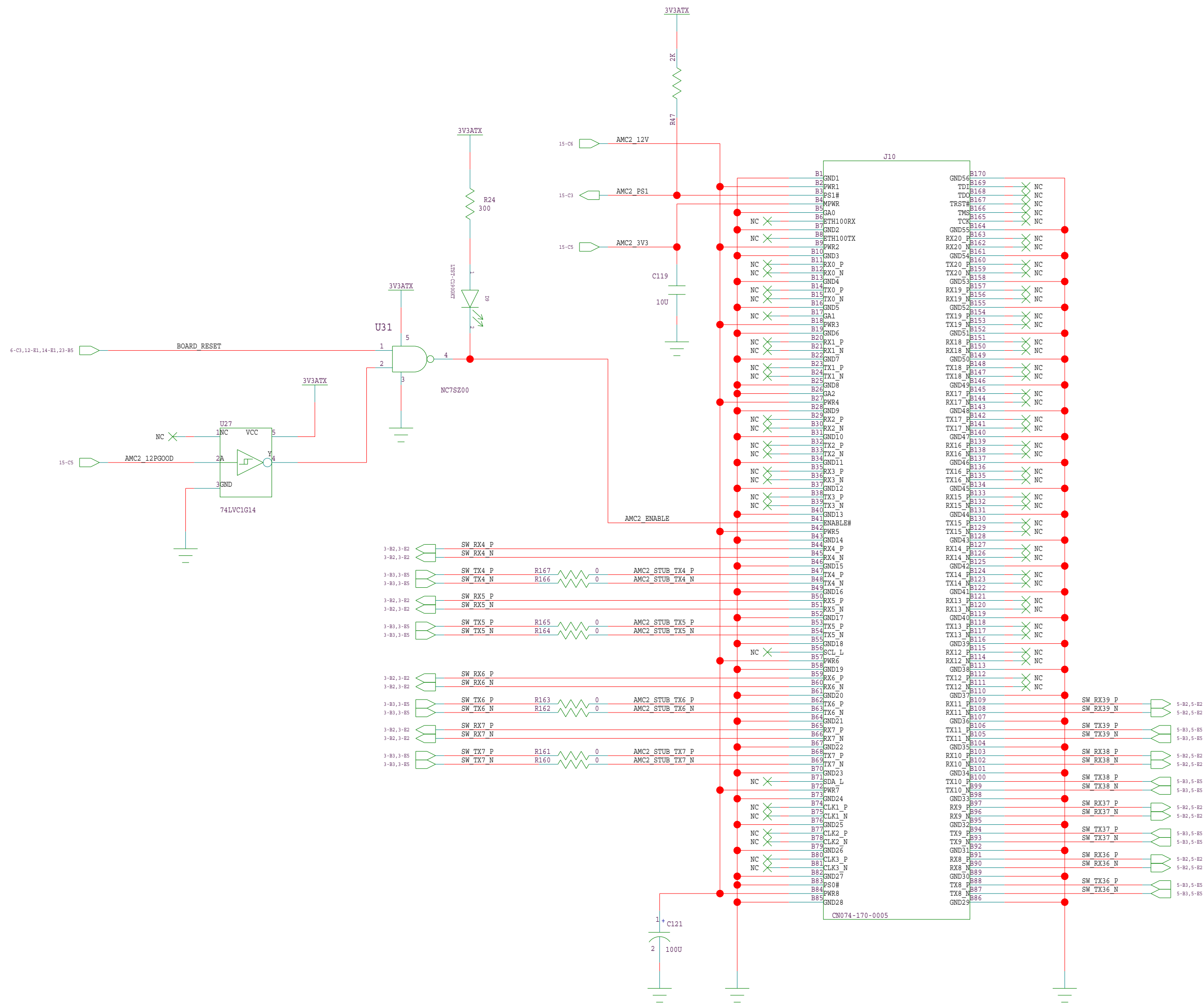
TITLE : 80HSPS1616 POWER			
SIZE	DRAWING NUMBER :	Version:	DESIGNER :
C			
LAST MODIFIED DATE : 7-22-2010_16:45		SHEET 11 OF 25	

AMC-1 Connector



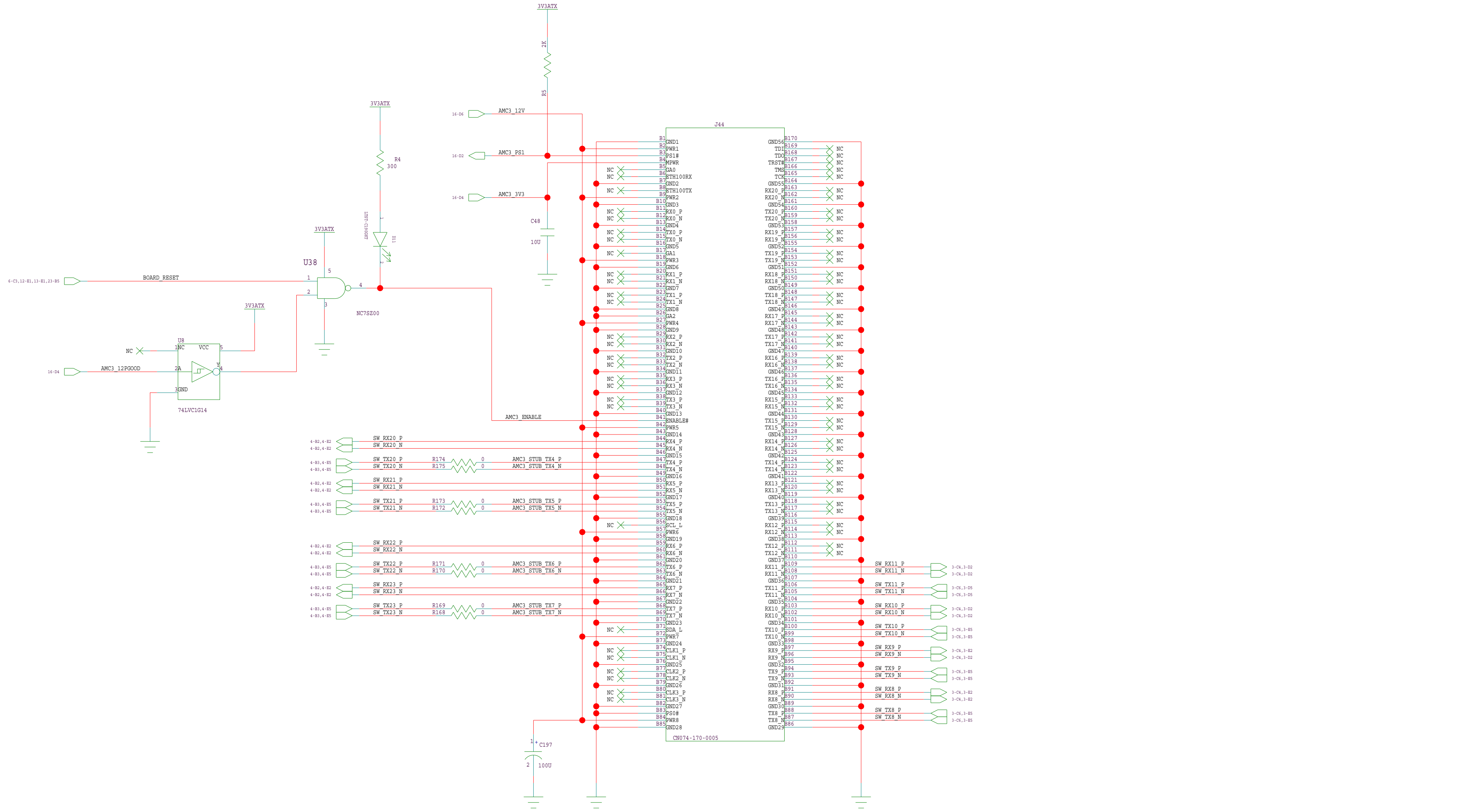
TITLE : AMC-1 CONNECTOR			
SIZE : C	DRAWING NUMBER :	Version :	DESIGNER :
LAST MODIFIED DATE : 7-22-2010_16:45		SHEET 12 OF 25	

AMC-2 Connector



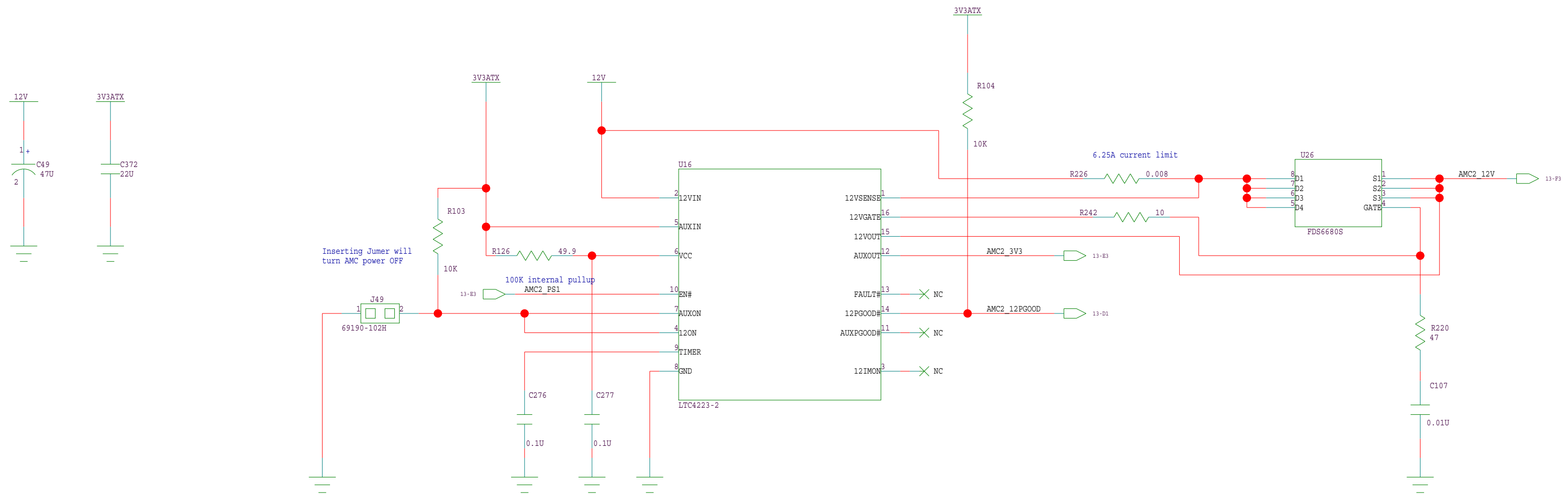
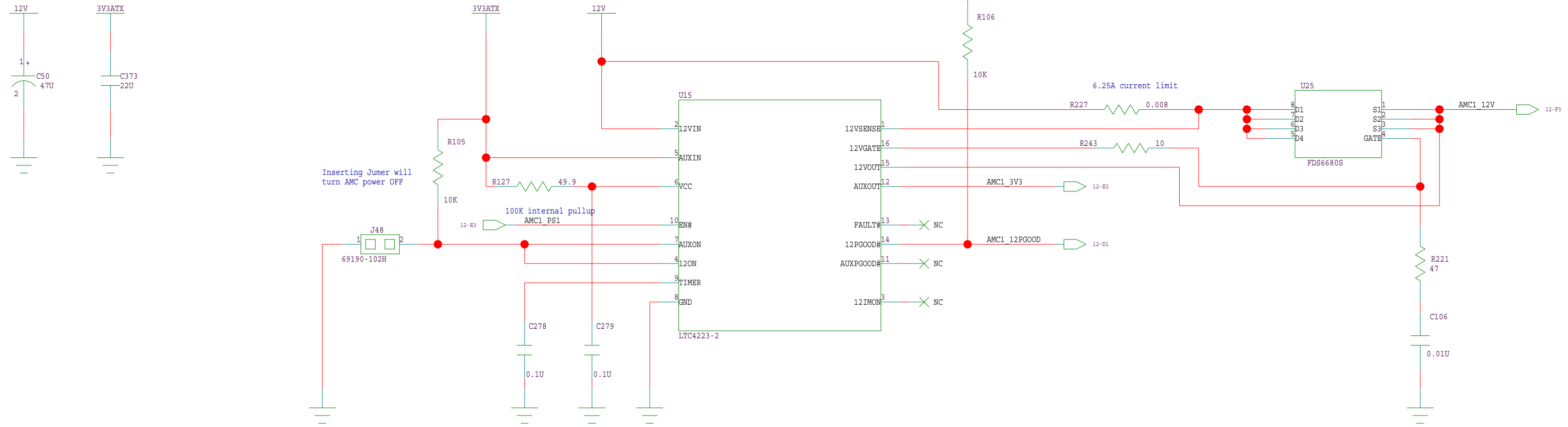
TITLE : AMC-2 CONNECTOR			
SIZE : C	DRAWING NUMBER :	Version :	DESIGNER :
LAST MODIFIED DATE : 7-22-2010_16:45		SHEET 13 OF 25	

AMC-3 Connector



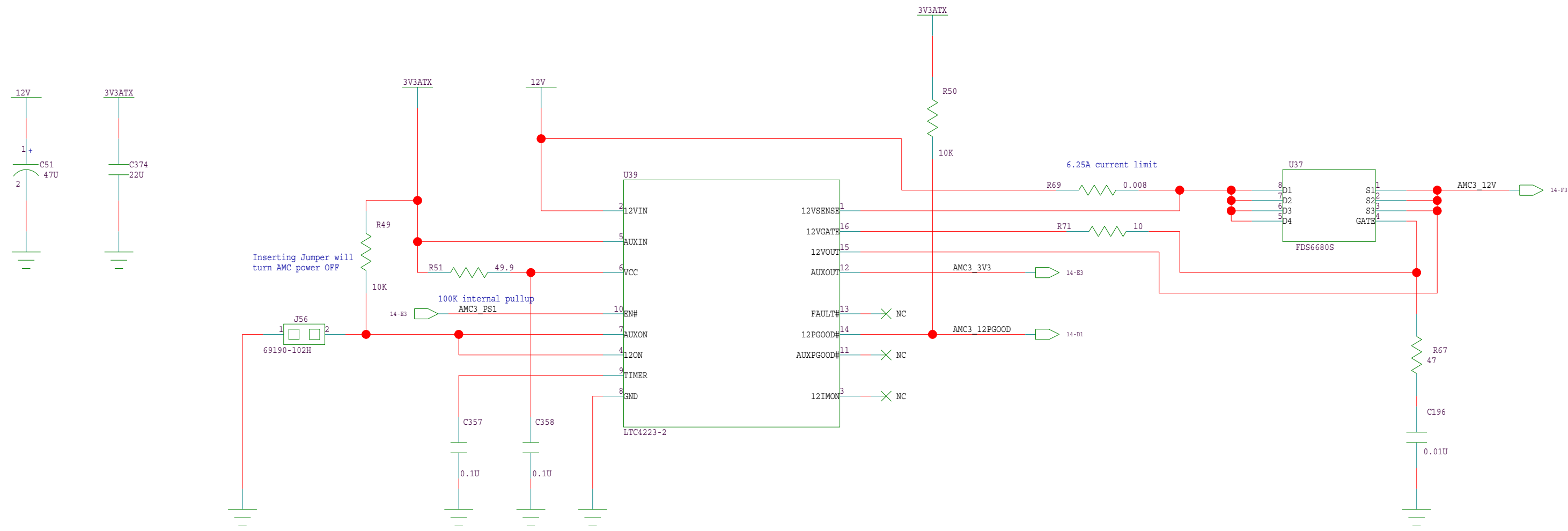
TITLE : AMC-3 CONNECTOR			
SIZE : C	DRAWING NUMBER :	Version :	DESIGNER :
LAST MODIFIED DATE : 7-22-2010_16:45		SHEET 14 OF 25	

AMC 1 & 2 Hotswap Controllers



TITLE : AMC 1 & 2 HOTSWAP CONTROLLERS			
SIZE C	DRAWING NUMBER :	Version:	DESIGNER :
LAST MODIFIED DATE : 7-22-2010_16:45		SHEET 15 OF 25	

AMC 3 Hotswap Controller



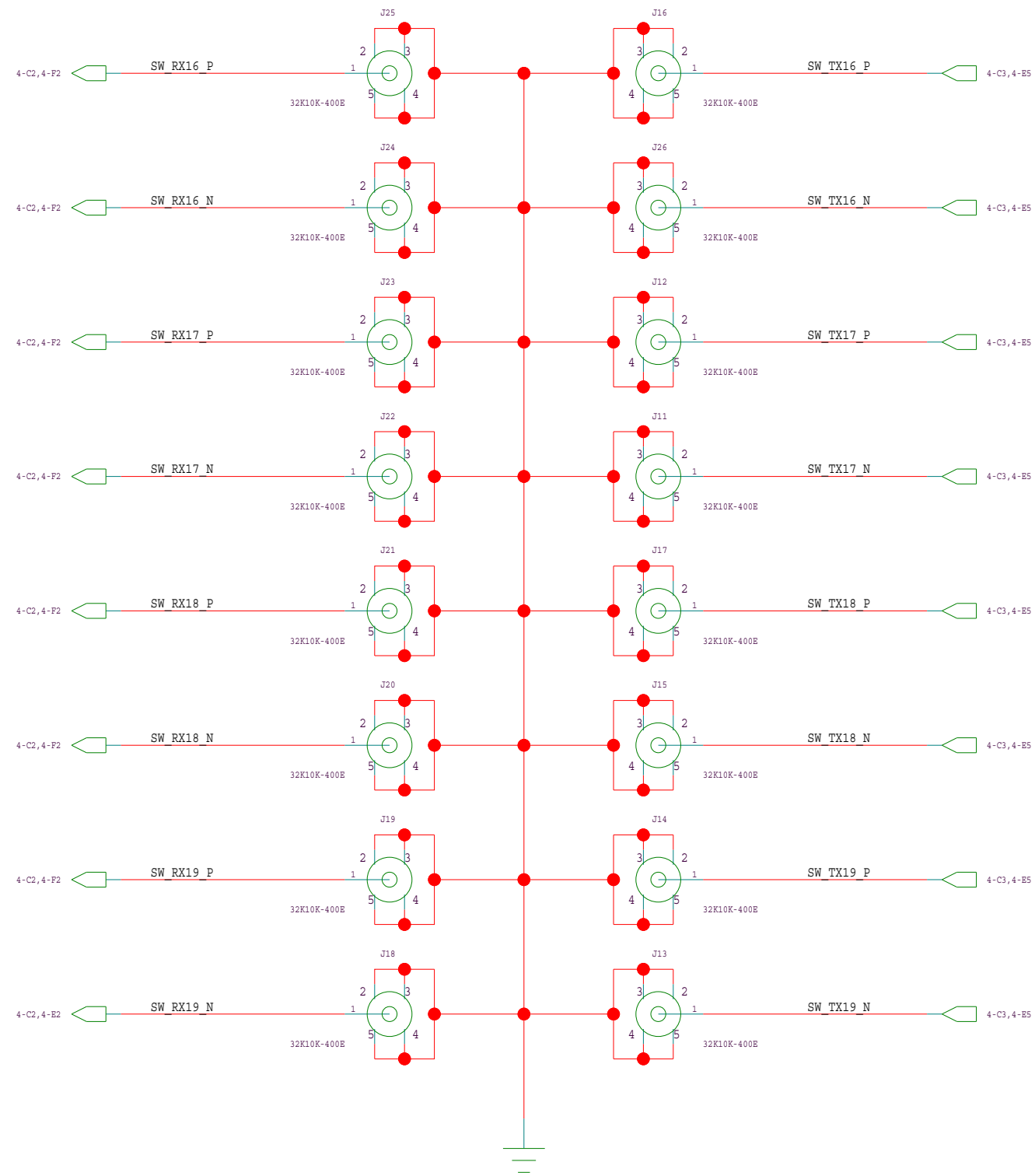
TITLE : AMC 3 HOTSWAP CONTROLLER

SIZE : C DRAWING NUMBER : Version: DESIGNER :

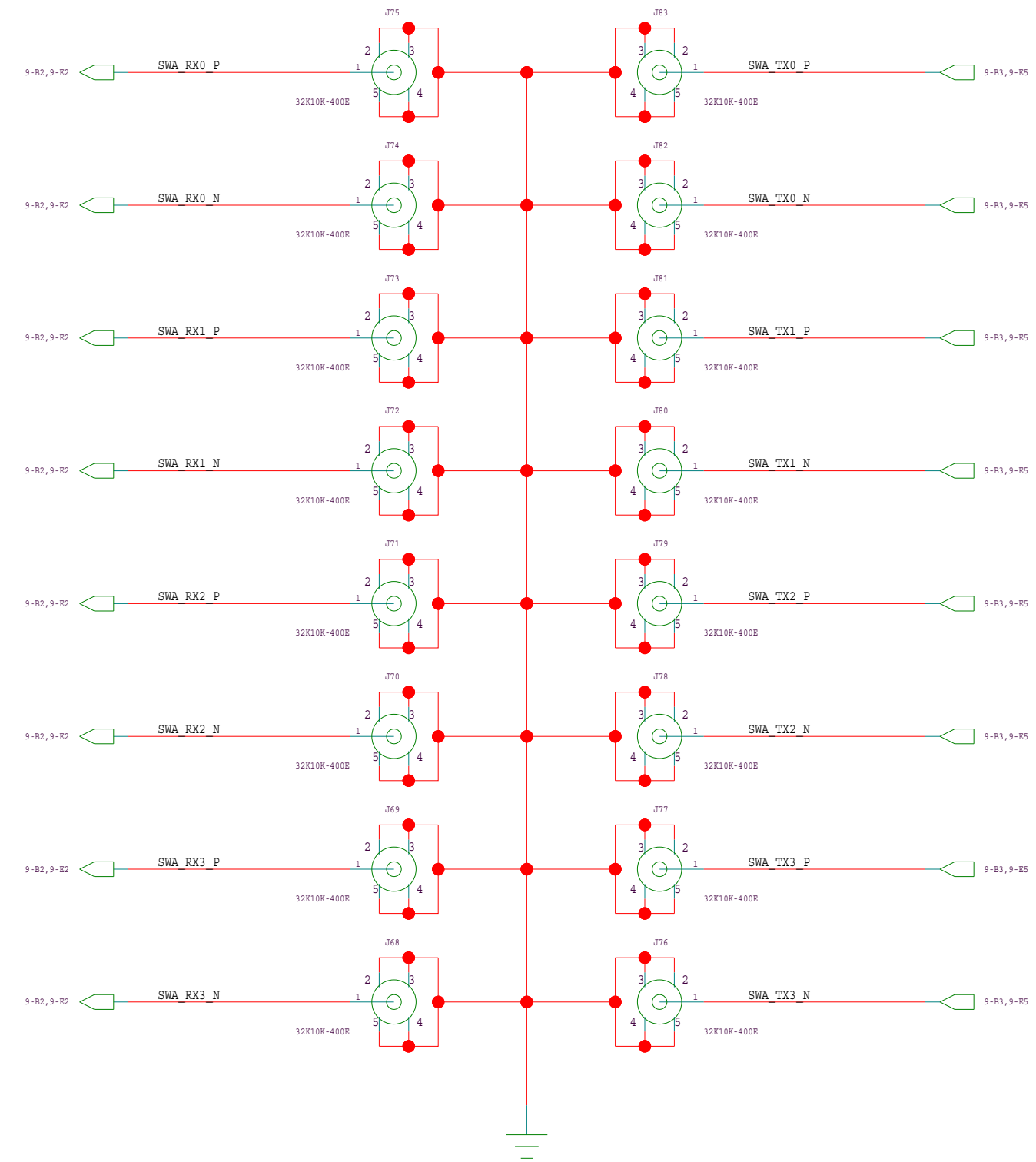
LAST MODIFIED DATE : 7-22-2010_16:45 SHEET 16 OF 25

SMA Field

80HCPS1848 SMAs

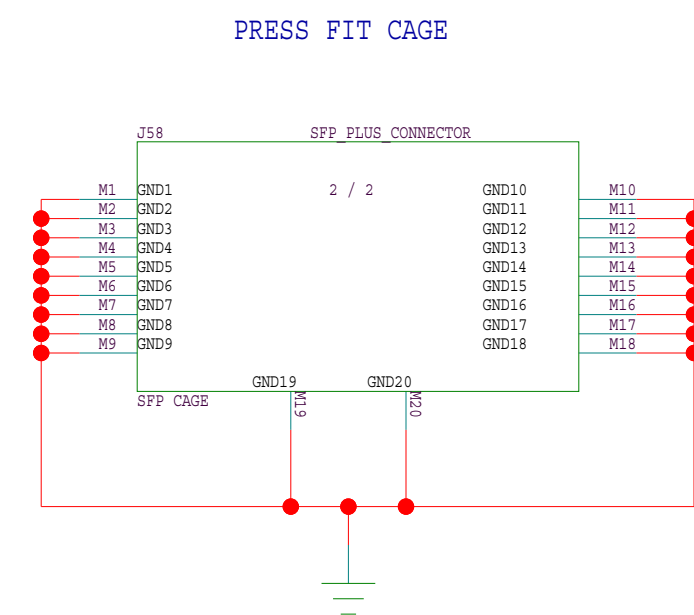
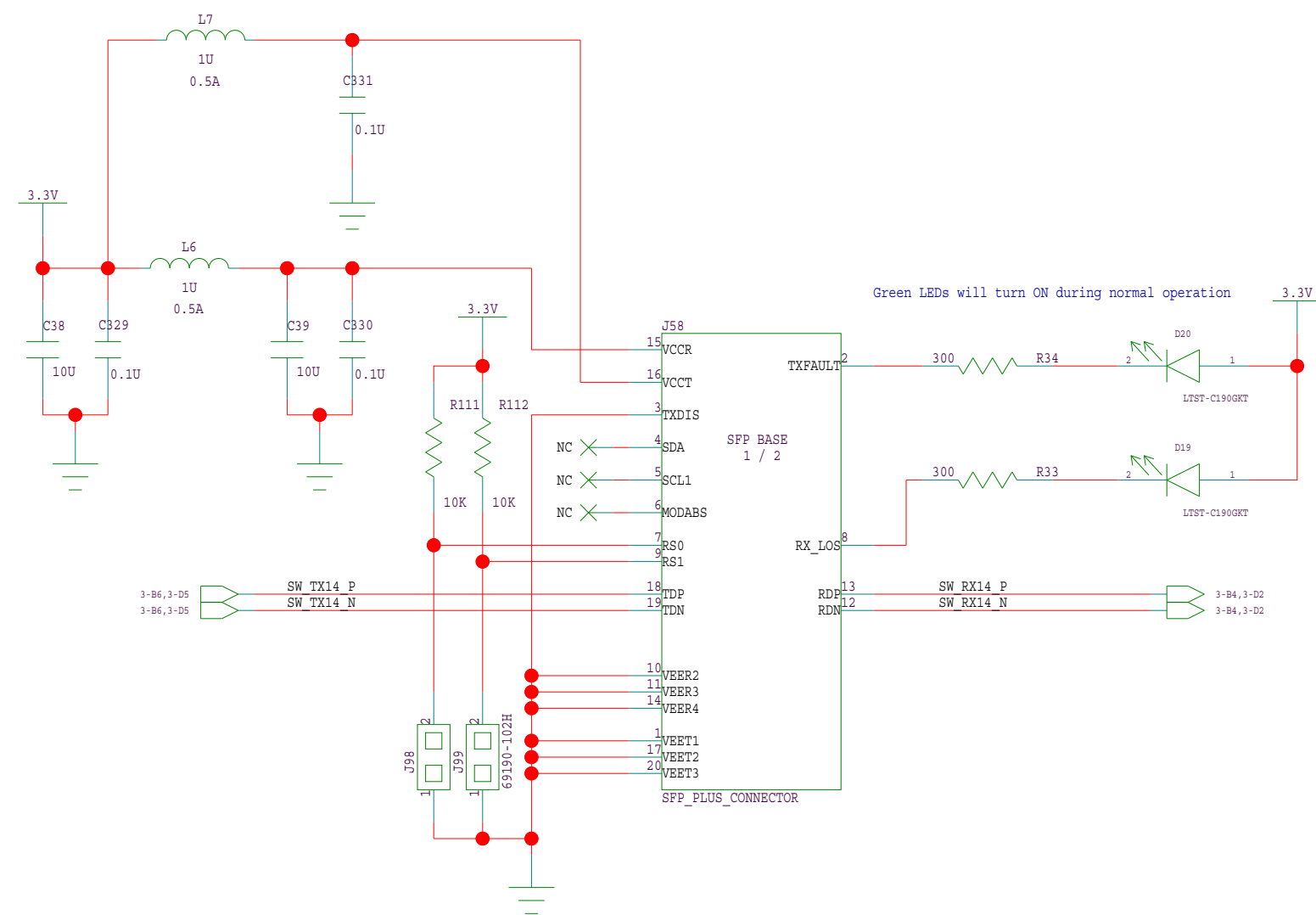
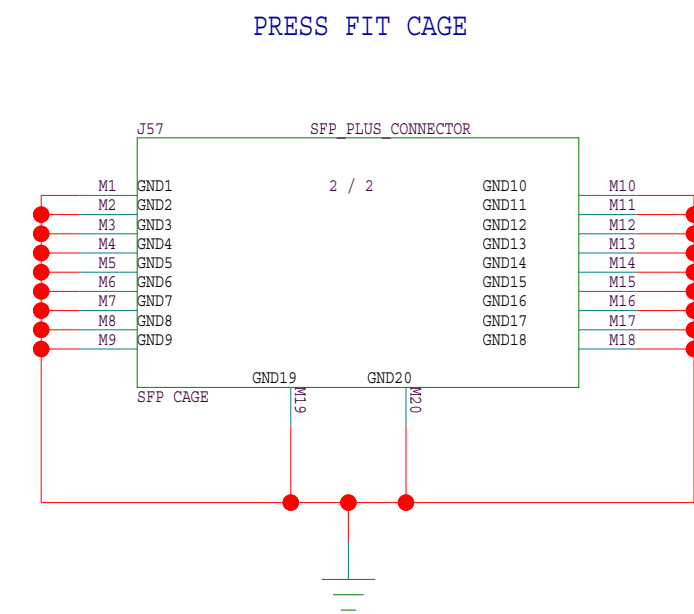
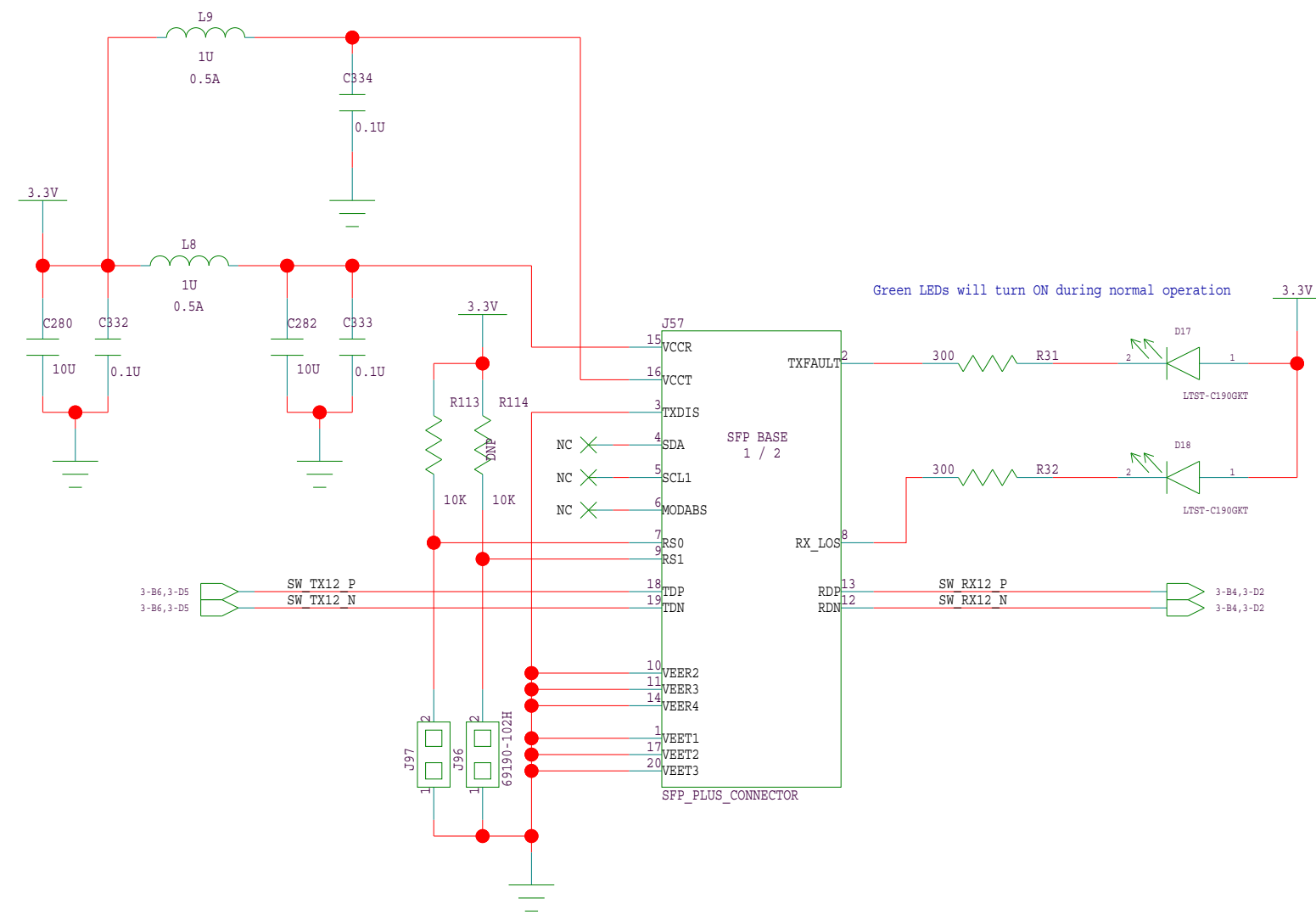


80HSPS1616 SMAs



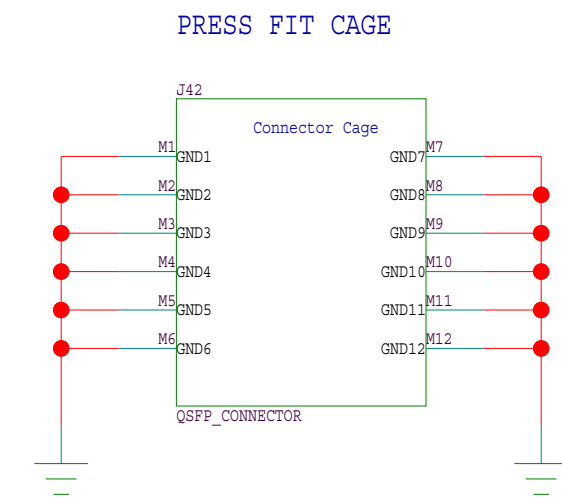
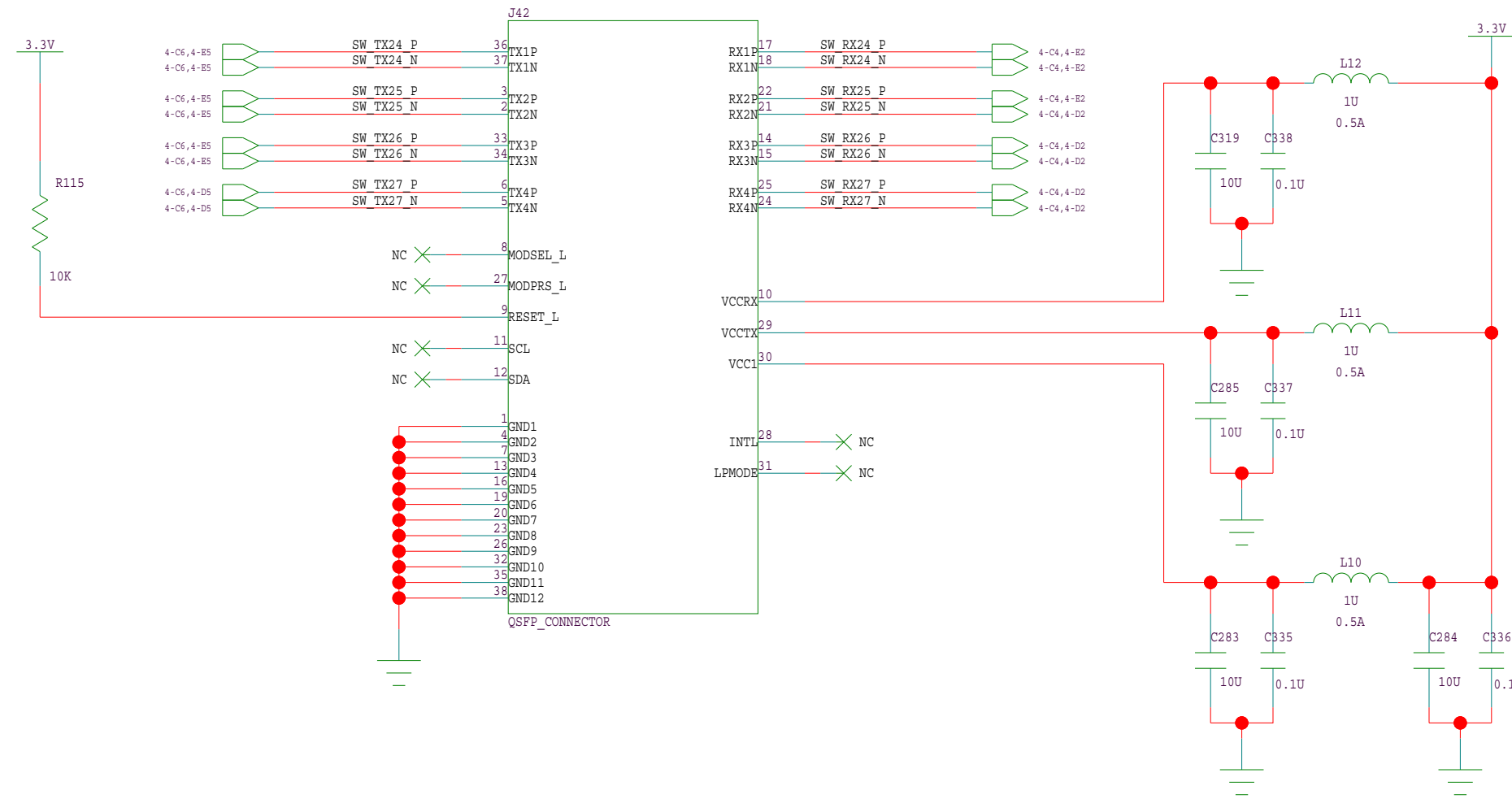
TITLE : SMA FIELD			
SIZE : C	DRAWING NUMBER :	Version:	DESIGNER :
LAST MODIFIED DATE : 7-22-2010_16:45		SHEET	17 OF 25

SFP Connectors



TITLE : SFP CONNECTORS			
SIZE : C	DRAWING NUMBER :	Version:	DESIGNER :
LAST MODIFIED DATE : 7-22-2010_16:45		SHEET 18 OF 25	

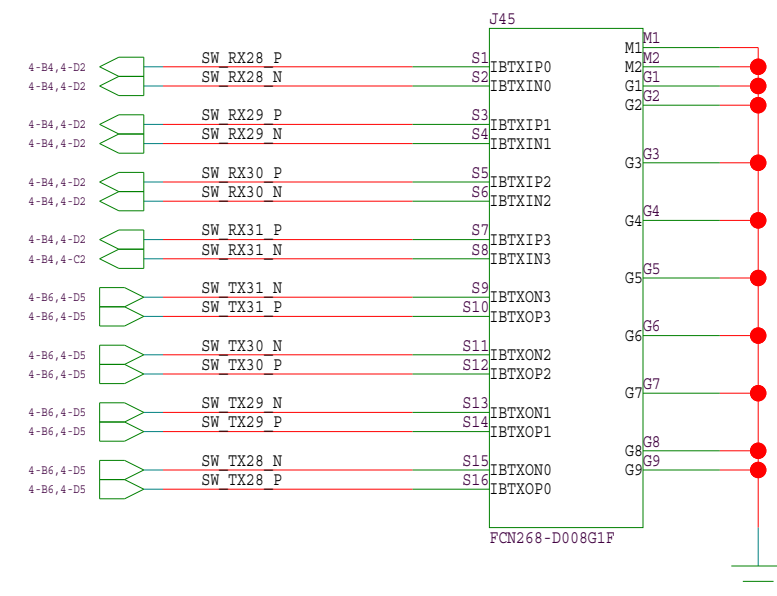
QSFP Connector



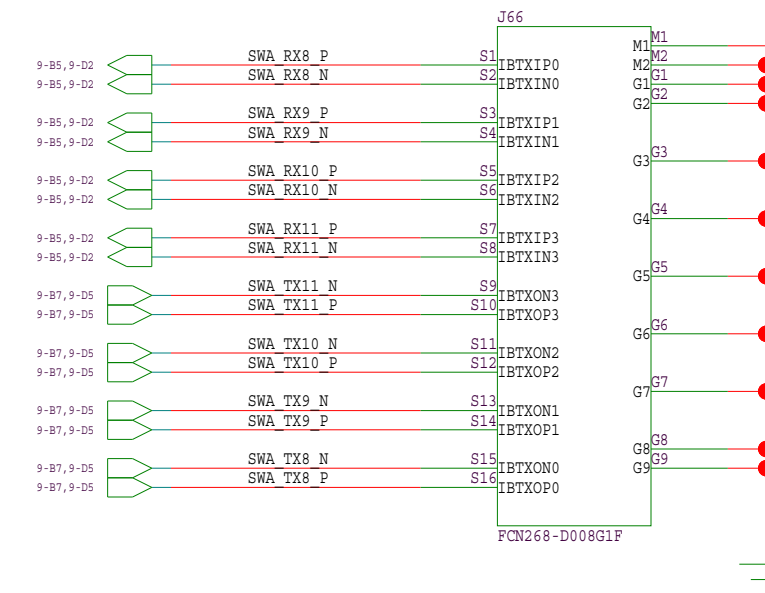
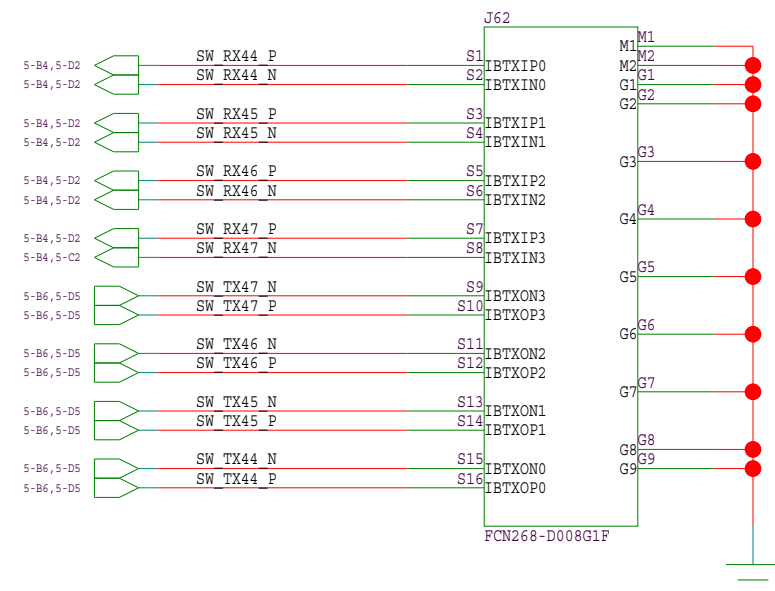
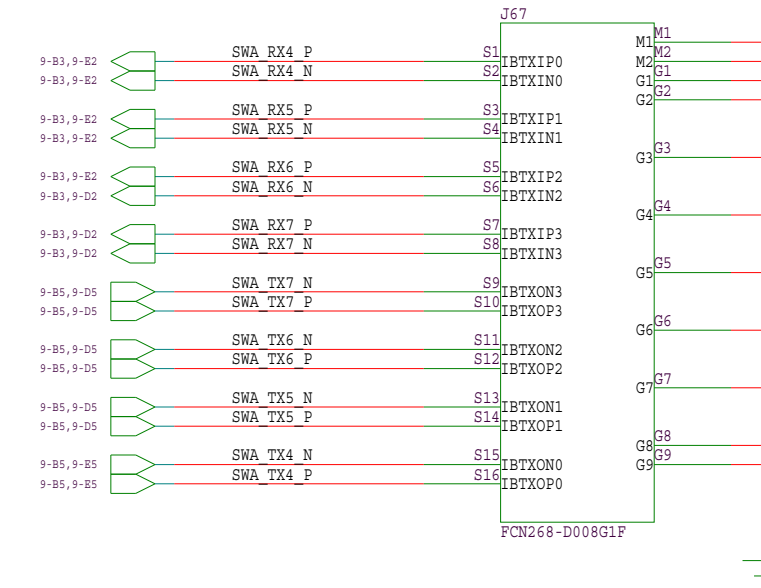
TITLE : QSFP CONNECTOR			
SIZE : C	DRAWING NUMBER :	Version :	DESIGNER :
LAST MODIFIED DATE : 7-22-2010_16:45		SHEET 19 OF 25	

INFINIBAND Connectors

80HCPS1848 Connectors



80HSPS1616 Connectors

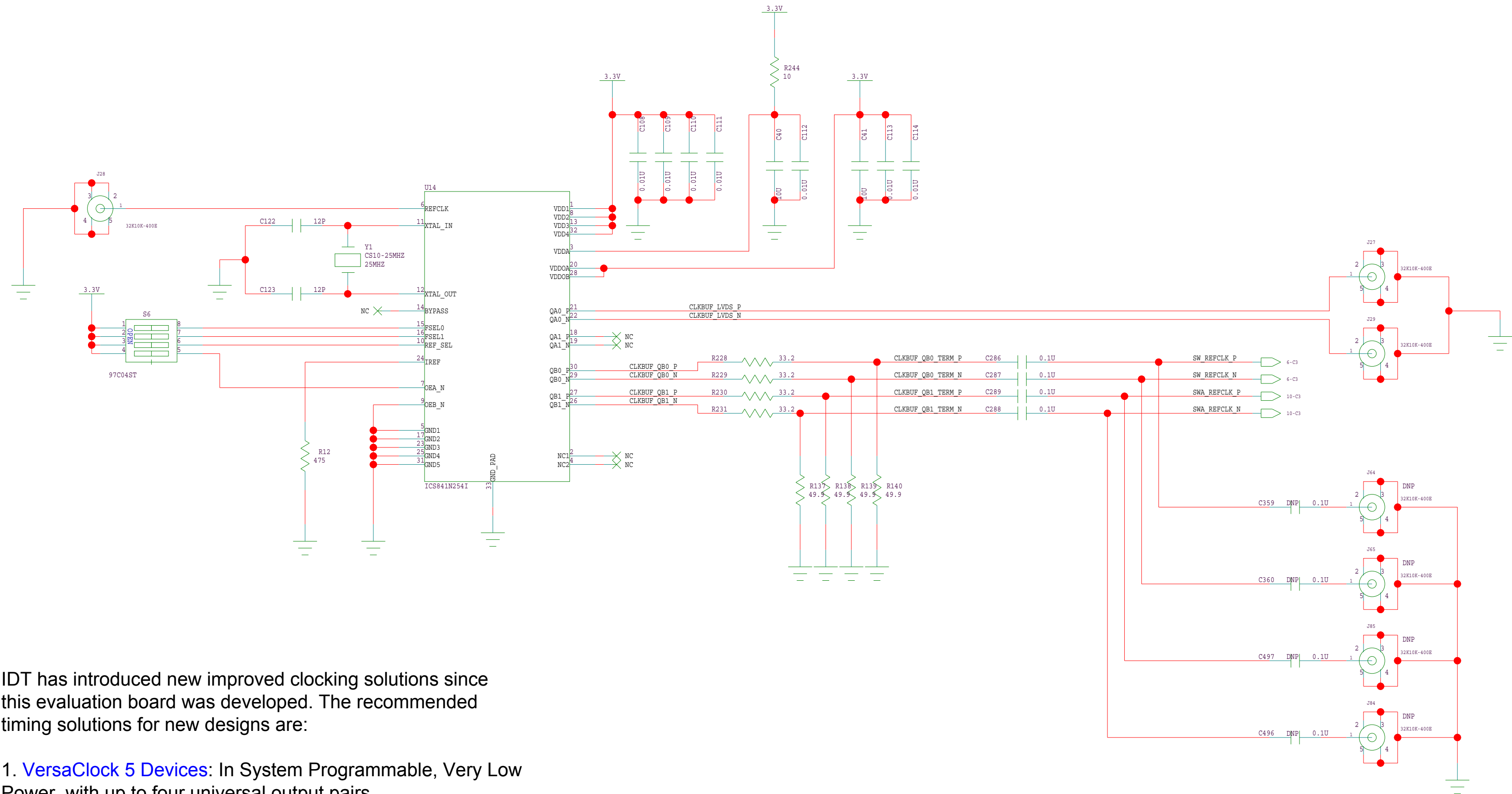


TITLE : INFINIBAND CONNECTORS

SIZE : C DRAWING NUMBER : Version: DESIGNER :

LAST MODIFIED DATE : 7-22-2010_16:45 SHEET 20 OF 25

Clocking



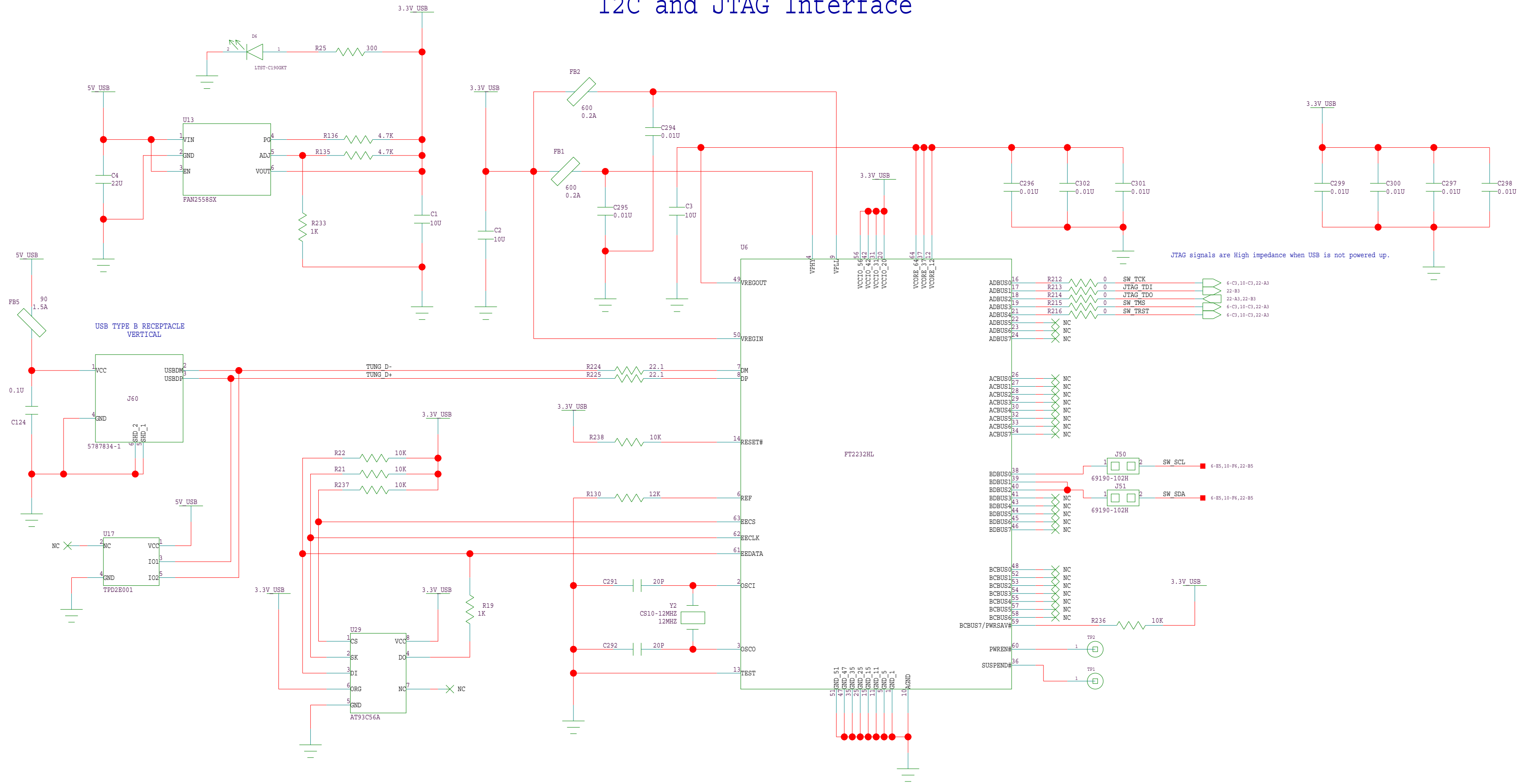
IDT has introduced new improved clocking solutions since this evaluation board was developed. The recommended timing solutions for new designs are:

1. **VersaClock 5 Devices:** In System Programmable, Very Low Power, with up to four universal output pairs.
2. **XUM LVDS Crystal Oscillator:** Ultra precise with only 300fs typical phase jitter. If using a 156.25 MHz clock source then the applicable part number is XUM535156.250JS618.

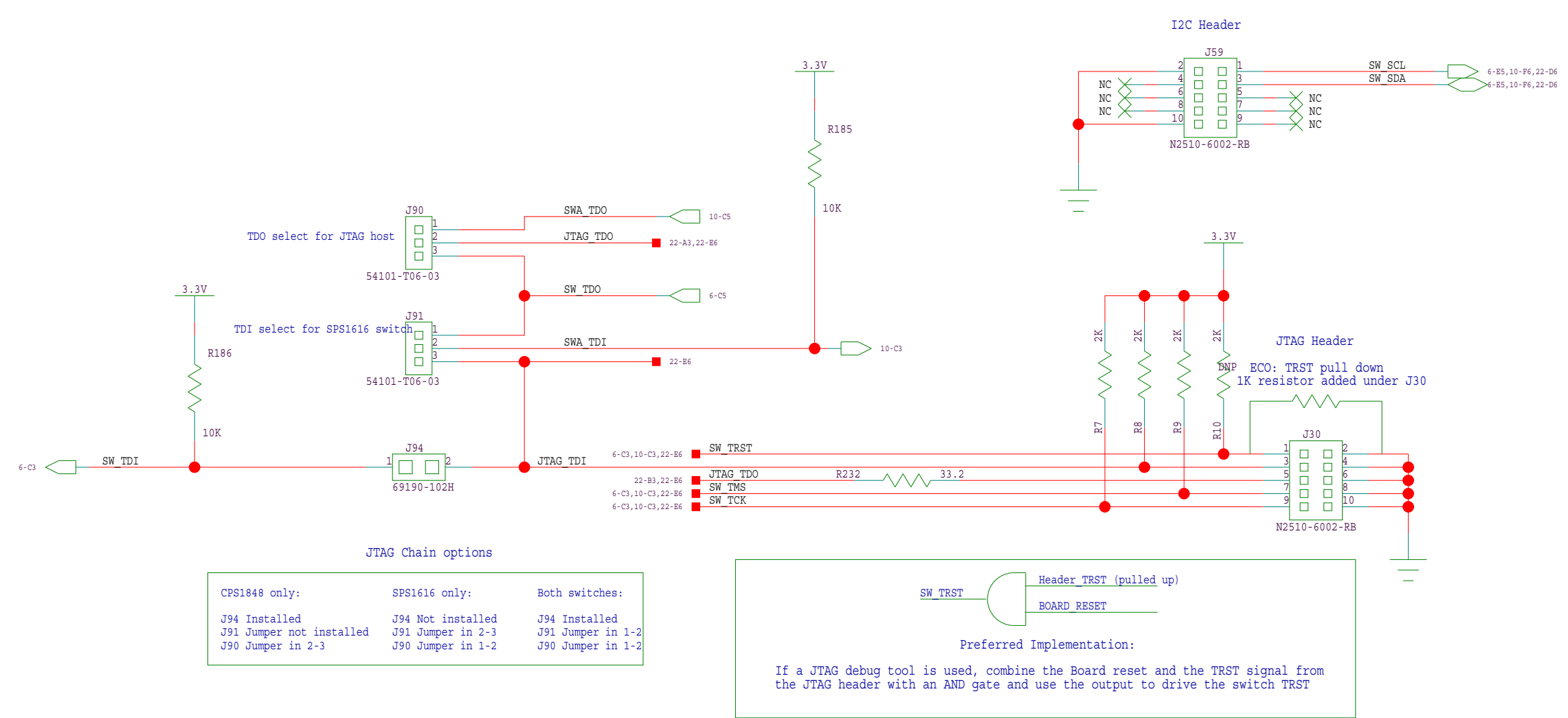



TITLE : CLOCKING			
SIZE : C	DRAWING NUMBER :	Version :	DESIGNER :
LAST MODIFIED DATE : 7-22-2010_16:45		SHEET 21 OF 25	

I2C and JTAG Interface



JTAG signals are High impedance when USB is not powered up.





IDT

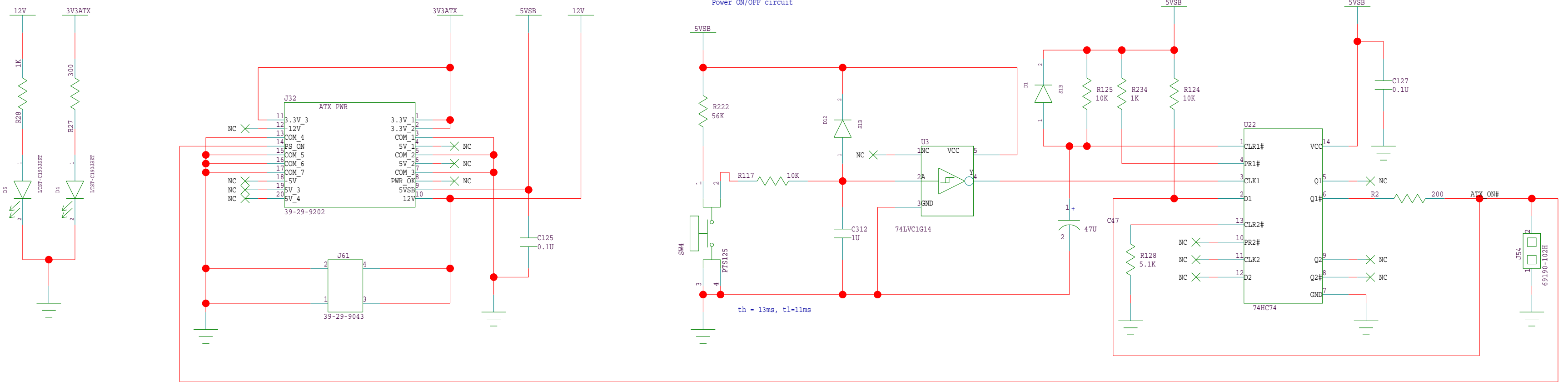
TITLE : I2C AND JTAG INTERFACE

SIZE	DRAWING NUMBER :	Version:	DESIGNER :
C			

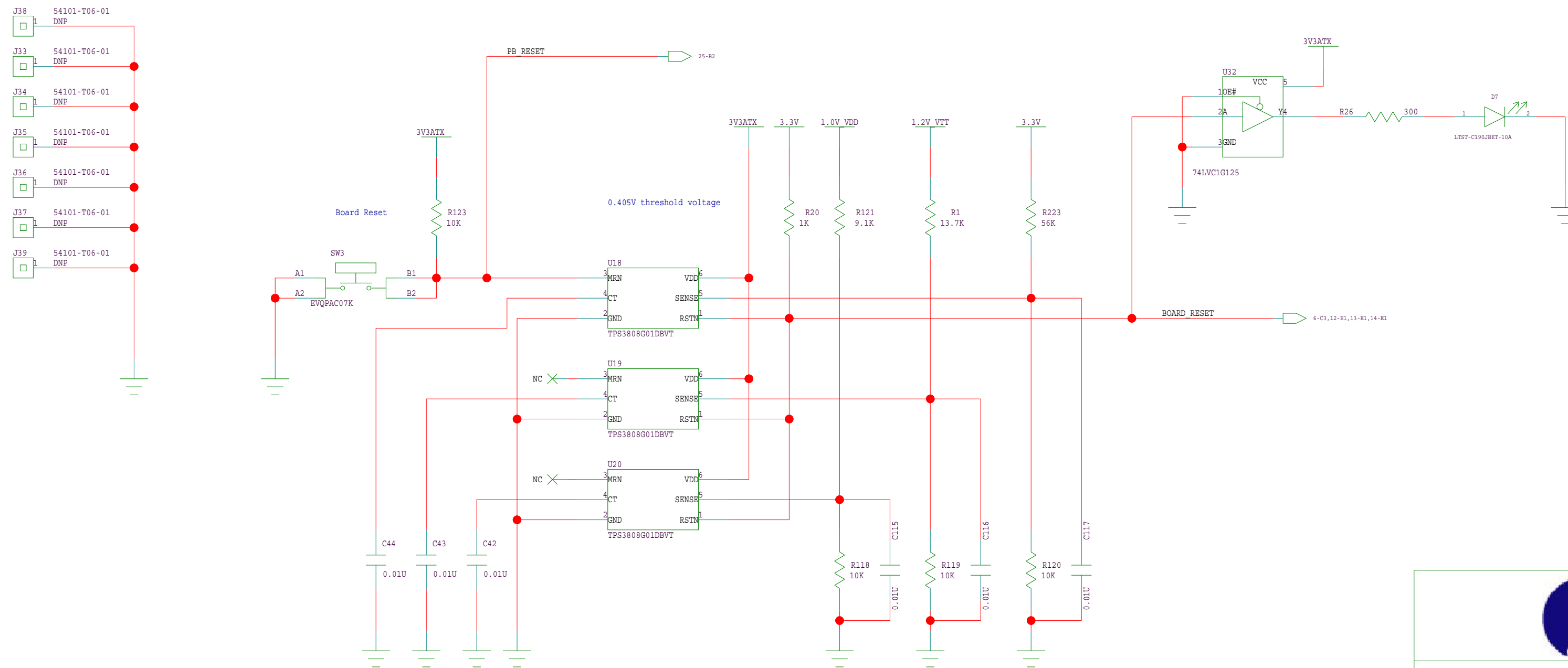
LAST MODIFIED DATE : 1-26-2011_14:53

SHEET 22 OF 25

ATX Power



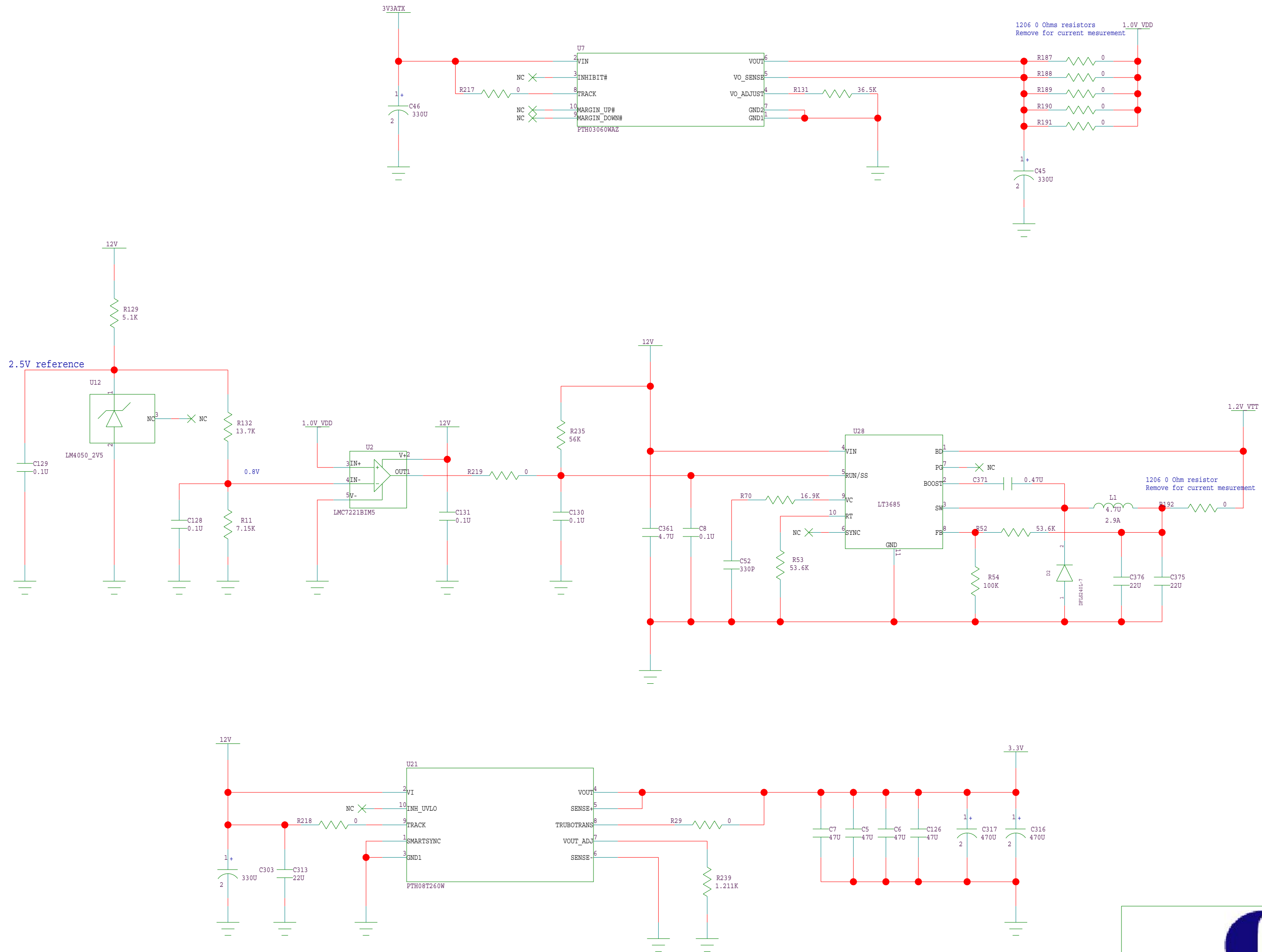
Voltage Monitors Board Reset



TITLE : ATX POWER			
SIZE : C	DRAWING NUMBER :	Version :	DESIGNER :
LAST MODIFIED DATE : 7-22-2010_16:45		SHEET : 23	OF : 25

Voltage Regulators for 80HCPS1848

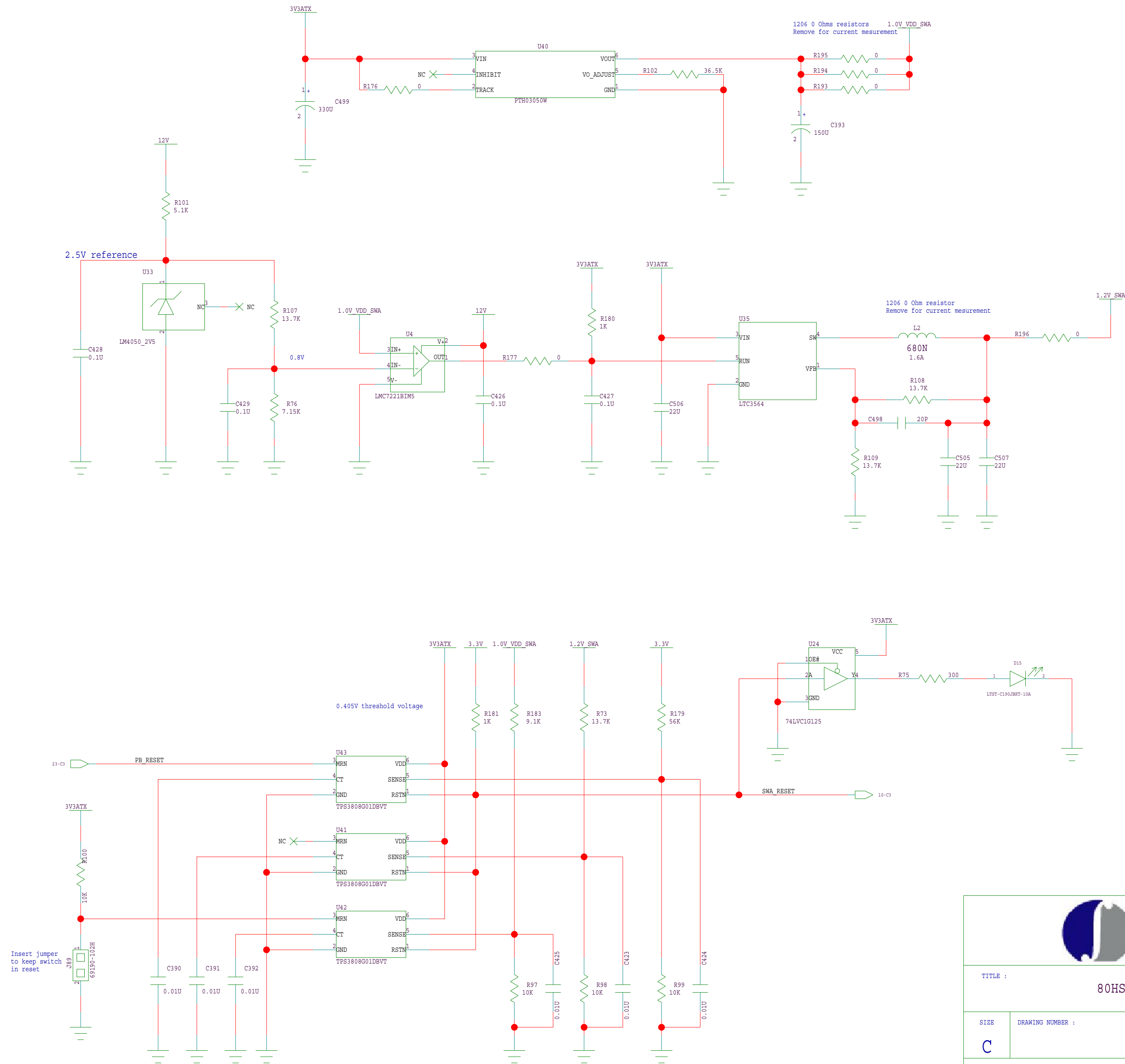
Following power-up sequence is necessary in order for the device to function properly: The serdes voltage (VDDS) needs to power-up first followed by serdes voltage (VDDT). The voltages on any Input or I/O pins cannot exceed its corresponding supply voltage during power supply ramp up.



TITLE : 80HCPS1848 REGULATORS			
SIZE : C	DRAWING NUMBER :	Version :	DESIGNER :
LAST MODIFIED DATE : 7-22-2010_16:45		SHEET 24 OF 25	

Voltage Regulators for 80HSPS1616

Following power-up sequence is necessary in order for the device to function properly: The serdes voltage (VDDS) needs to power-up first followed by serdes voltage (VDDT). The voltages on any Input or I/O pins cannot exceed its corresponding supply voltage during power supply ramp up.



TITLE : 80HSPS1616 REGULATORS			
SIZE : C	DRAWING NUMBER :	Version :	DESIGNER :
LAST MODIFIED DATE : 7-22-2010_16:45		SHEET 25 OF 25	

Revision History

April 7, 2015 -- Added a note on sheet 21 on improving clocking solutions for S-RIO components.

April 1, 2011 -- Changed FB3/FB4 on sheet 7, and FB6 on sheet 11, to 60 Ohms 3A.

January 26, 2011 -- Added a JTAG TRST implementation note on sheet 22.

September 13, 2010 -- Updated the JTAG Header resistor on sheet 22.

July 26, 2010 -- First release of document.



TITLE : Revision History			
SIZE C	DRAWING NUMBER :	Version:	DESIGNER :
LAST MODIFIED DATE :			SHEET