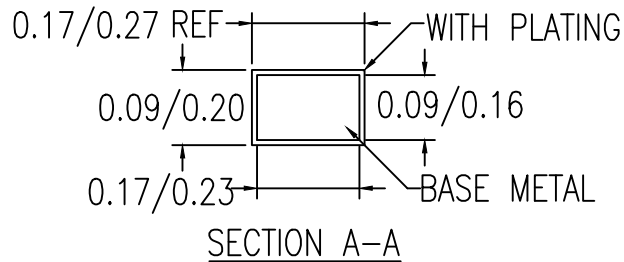
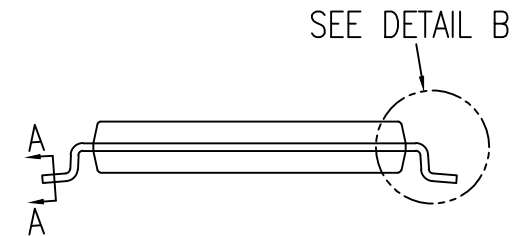
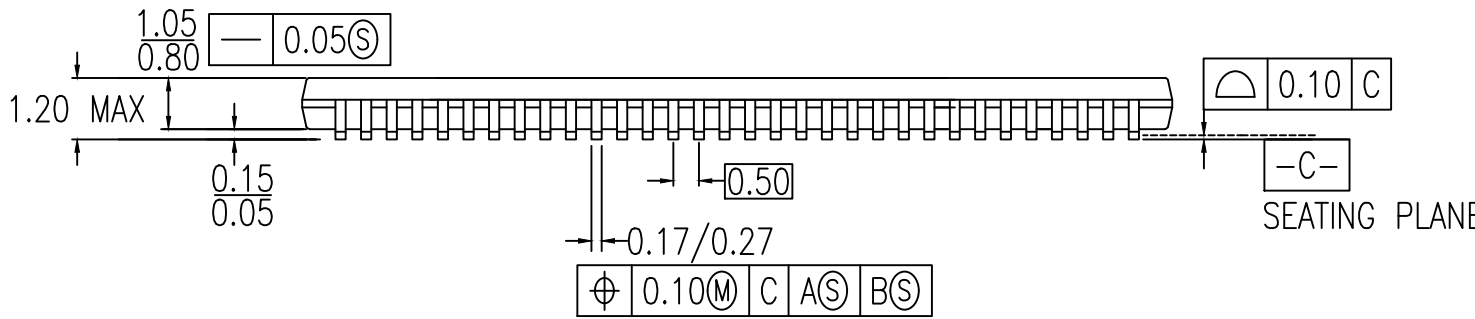
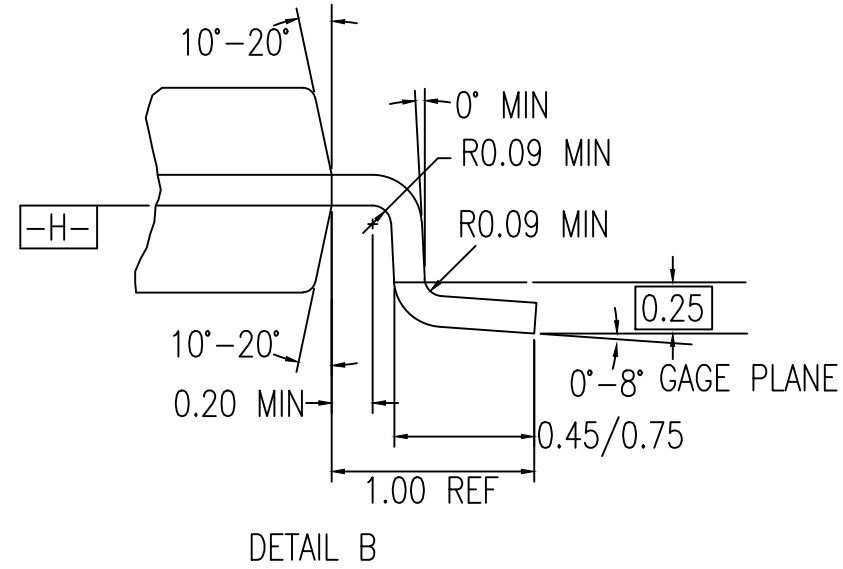
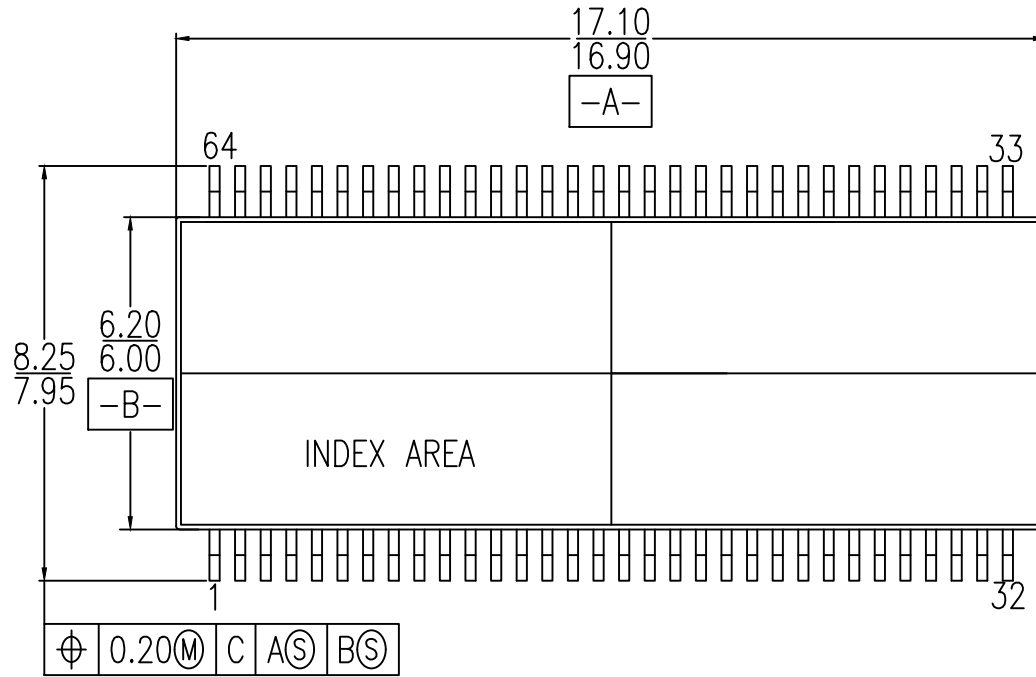


| REVISIONS | | | |
|--------------|-----|--------------------------|----------|
| DATE CREATED | REV | DESCRIPTION | APPROVED |
| 7/18/18 | 00 | Revised from PSC-4039_06 | R.C |

NOTE: REFER TO DCP FOR OFFICIAL RELEASE DATE

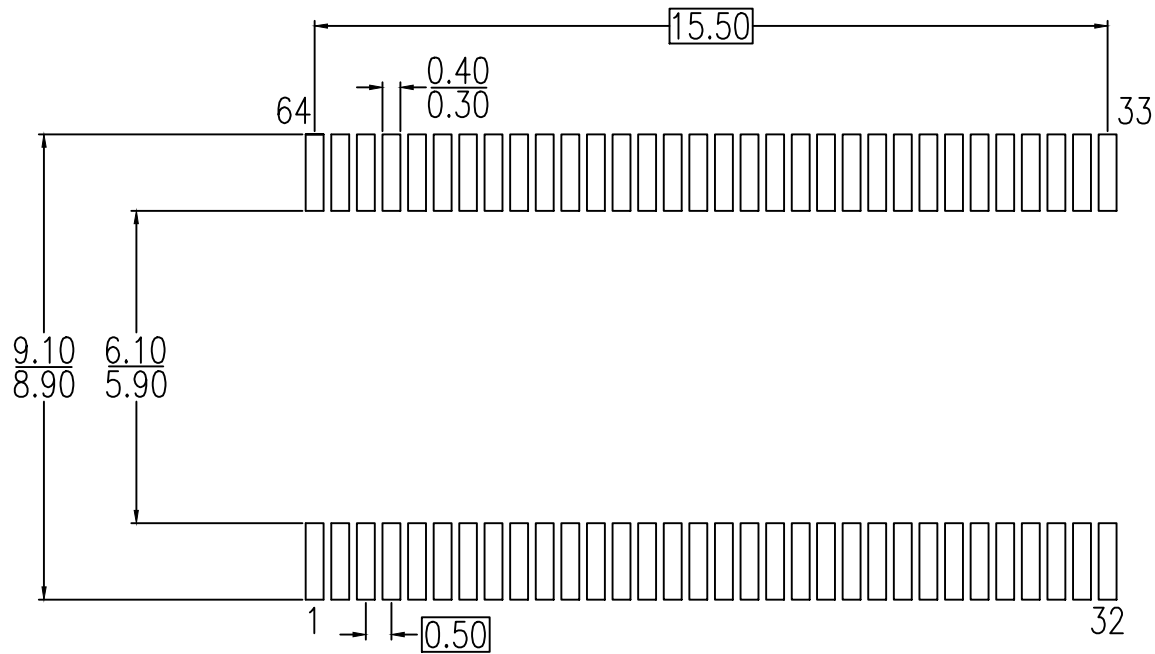


NOTES:

1. ALL DIMENSIONING AND TOLERANCING CONFORM TO ANSI Y14.5M-1982
2. ALL DIMENSION ARE IN MM.

| | | | |
|--------------------------------|----------------------|-------------|--|
| TOLERANCES UNLESS SPECIFIED | DECIMAL | ANGULAR | 6024 Silver Creek Valley Rd San Jose, CA 95138 PHONE: (408) 284-8200 FAX: (408) 284-3572 www.IDT.com |
| | XX± | ± | |
| XXX± | | | TITLE |
| XXXX± | | | PAG64 Package Outline Drawing 6.10 mm Body, 0.50mm Pitch TSSOP |
| | SIZE | DRAWING No. | REV |
| | C | PSC-4767 | 00 |
| | DO NOT SCALE DRAWING | | SHEET 1 OF 2 |


| DATE CREATED | | REVISIONS | | |
|--|-----|--------------------------|----------|--|
| 7/18/18 | REV | DESCRIPTION | APPROVED | |
| | 00 | Revised from PSC-4039_06 | R.C | |
| NOTE: REFER TO DCP FOR OFFICIAL RELEASE DATE | | | | |



RECOMMENDED LAND PATTERN DIMENSIONS

NOTES:

1. ALL DIMENSIONS ARE IN MILLIMETERS

| | | |
|-----------------------------|---------|--|
| TOLERANCES UNLESS SPECIFIED | |  6024 Silver Creek Valley Rd San Jose, CA 95138 PHONE: (408) 284-8200 FAX: (408) 284-3572 |
| DECIMAL | ANGULAR | |
| XX± | ± | www.IDT.com |
| XXX± | | TITLE PAG64 Package Outline Drawing 6.10 mm Body, 0.50mm Pitch TSSOP |
| XXXX± | | SIZE C DRAWING No. PSC-4767 REV 00 |
| DO NOT SCALE DRAWING | | SHEET 2 OF 2 |