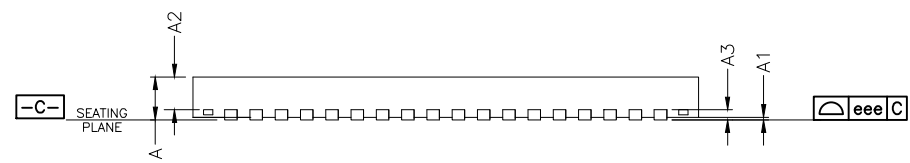
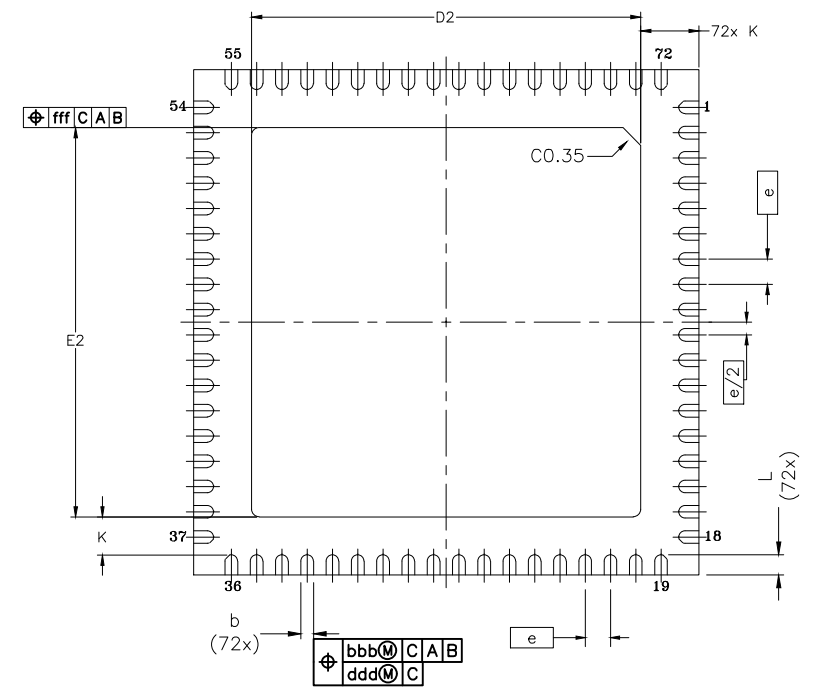
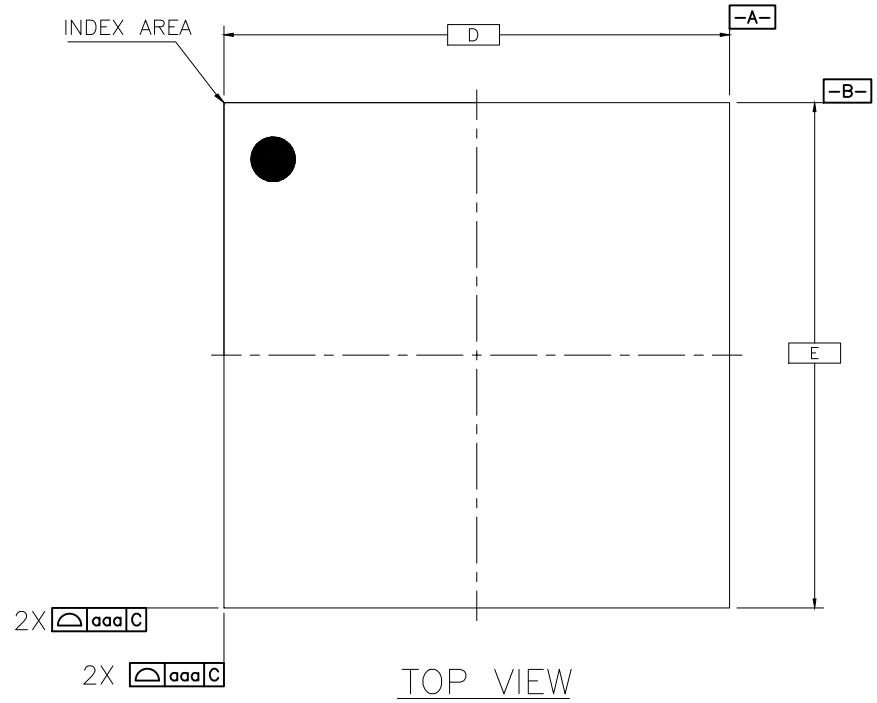



REVISIONS			
REV	DESCRIPTION	DATE	APPROVED
00	INITIAL RELEASE	1/14/16	CM
01	CORRECT K VALUE	1/6/19	JH




NOTES:

1. ALL DIMENSIONING AND TOLERANCING CONFORM TO ANSI Y14.5M-1994
2. ALL DIMENSIONS ARE IN MILLIMETERS.
3. INDEX AREA (PIN1 IDENTIFIER)

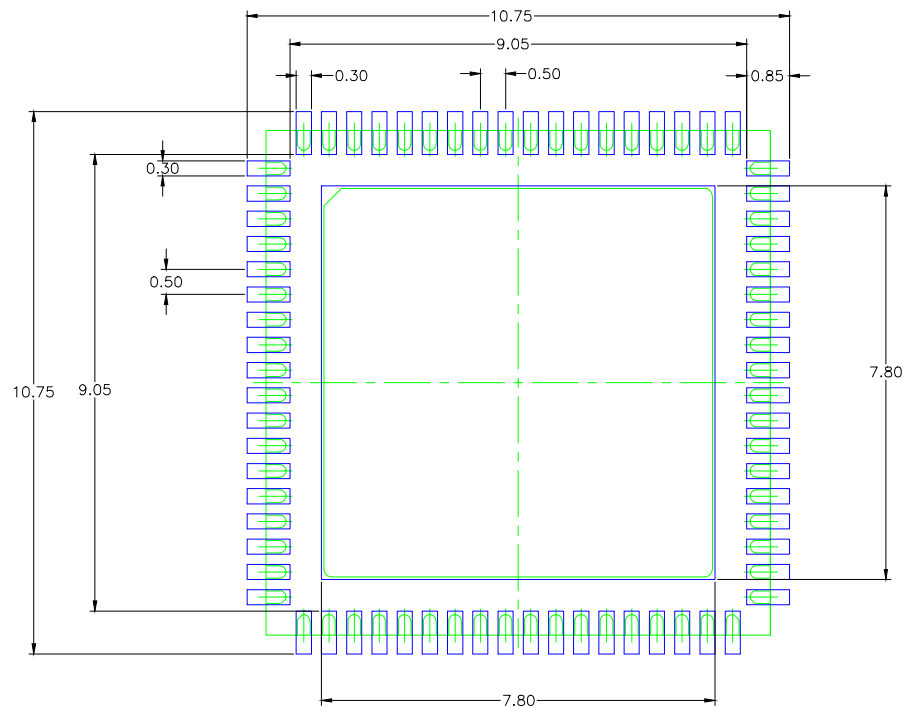
TOLERANCES UNLESS SPECIFIED		 IDT™ www.IDT.com	6024 Silver Creek Valley Road San Jose, CA 95138 PHONE: (408) 284-8200 FAX: (408) 284-8591	
DECIMAL	ANGULAR		TITLE NL/NLG72 PACKAGE OUTLINE 10.0x10.0 mm BODY, EPAD 7.7MMSQ 0.50 mm Pitch QFN (SAWN)	
APPROVALS	DATE	DRAWN <i>RAC</i> 01/14/16 CHECKED		
		SIZE	DRAWING No.	REV
		C	PSC-4208-04	01
DO NOT SCALE DRAWING				SHEET 1 OF 3

REVISIONS			
REV	DESCRIPTION	DATE	APPROVED
00	INITIAL RELEASE.	1/14/16	CM
01	CORRECT K VALUE.	1/6/19	JH

SYMBOL	DIMENSIONS		
	MIN.	NOM.	MAX.
D2	7.60	7.70	7.80
E2	7.60	7.70	7.80
A2	0.65 ref.		
L	0.30	0.40	0.50
A	0.80	0.90	1.00
A1	0.00	0.02	0.05
A3	0.20 ref.		
b	0.18	0.25	0.30
Ⓢ	0.50 BSC		
D	10.00 BSC		
E	10.00 BSC		
K	0.75 ref.		
TOLERANCES			
aaa	0.15		
bbb	0.10		
ccc	0.05		
eee	0.08		
fff	0.10		

TOLERANCES UNLESS SPECIFIED		 IDT™ www.IDT.com	6024 Silver Creek Valley Road San Jose, CA 95138 PHONE: (408) 284-8200 FAX: (408) 284-8591	
DECIMAL	ANGULAR		TITLE NL/NLG72 PACKAGE OUTLINE	
X±			10.0x10.0 mm BODY, EPAD 7.7MMSQ	
XX±			0.50 mm Pitch QFN (SAWN)	
XXX±		APPROVALS	DATE	SIZE
		DRAWN <i>BAC</i>	01/14/16	DRAWING No.
		CHECKED		C
				PSC-4208-04
				REV
				01
		DO NOT SCALE DRAWING		SHEET 2 OF 3


REVISIONS			
REV	DESCRIPTION	DATE	APPROVED
00	INITIAL RELEASE.	1/14/16	CM
01	CORRECT K VALUE	1/6/19	JH



RECOMMENDED LAND PATTERN DIMENSION

NOTES:

1. ALL DIMENSIONS ARE IN mm. ANGLES IN DEGREES.
2. TOP DOWN VIEW. AS VIEWED ON PCB.
3. COMPONENT OUTLINE SHOWS FOR REFERENCE IN GREEN.
4. LAND PATTERN IN BLUE. NSMD PATTERN ASSUMED.
5. LAND PATTERN RECOMMENDATION PER IPC-7351B GENERIC REQUIREMENT FOR SURFACE MOUNT DESIGN AND LAND PATTERN.

TOLERANCES UNLESS SPECIFIED		 6024 Silver Creek Valley Road San Jose, CA 95138 PHONE: (408) 284-8200 FAX: (408) 284-8591 www.IDT.com
DECIMAL	ANGULAR	
X±		TITLE NL/NLG72 PACKAGE OUTLINE 10.0x10.0 mm BODY, EPAD 7.7MMSQ 0.50 mm Pitch QFN (SAWN)
XX±		
XXX±		
APPROVALS	DATE	
DRAWN <i>oac</i>	01/14/16	
CHECKED		
SIZE	DRAWING No.	REV
C	PSC-4208-04	01
DO NOT SCALE DRAWING		SHEET 3 OF 3