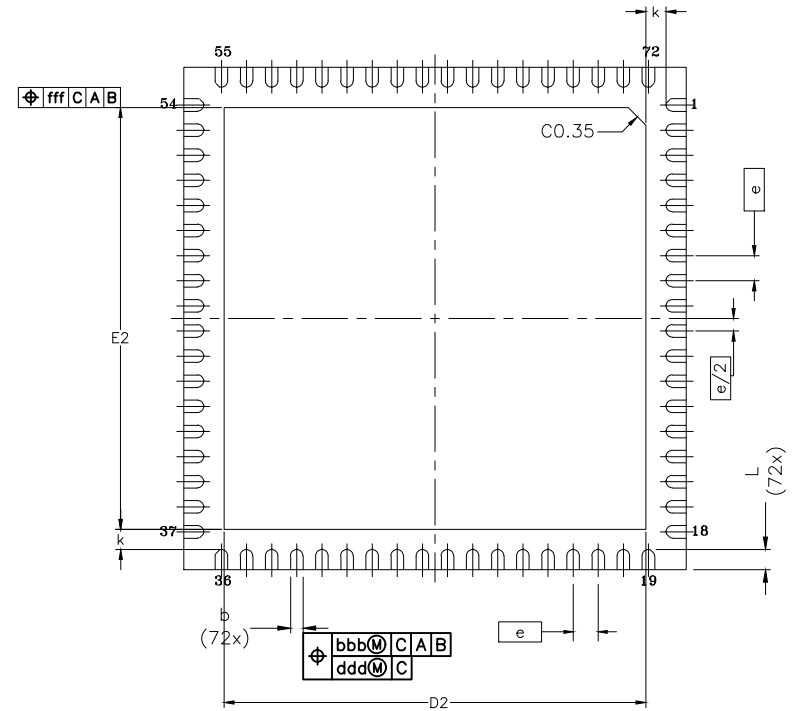
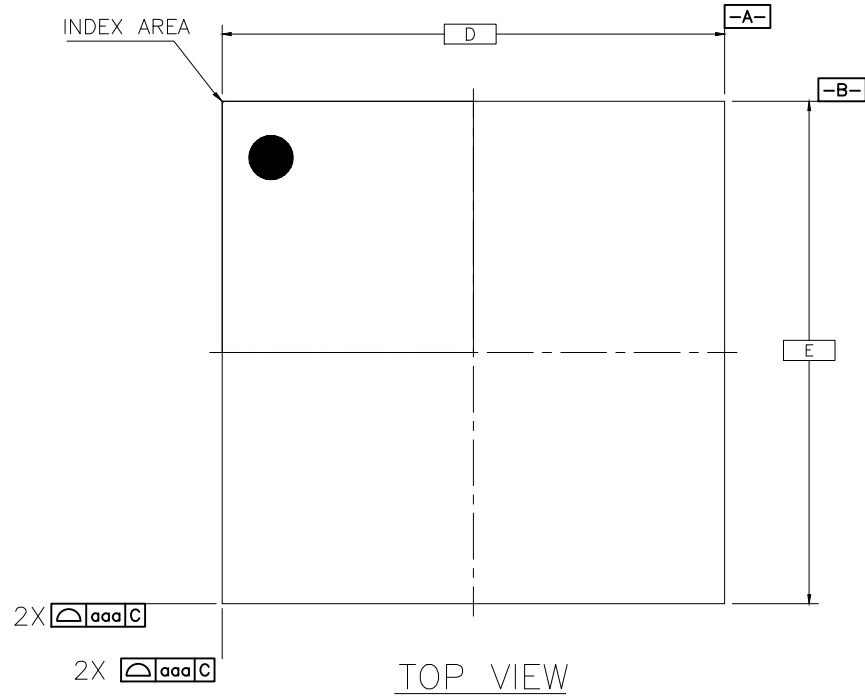
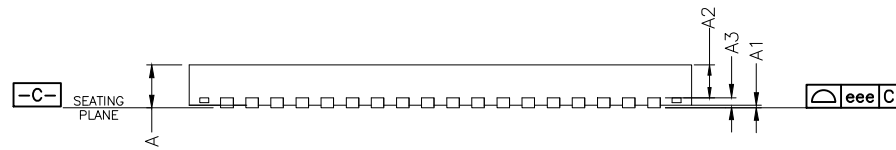


REVISIONS			
REV	DESCRIPTION	DATE	APPROVED
00	INITIAL RELEASE.	2/2/16	JH




BOTTOM VIEW



SIDE VIEW


NOTES:

1. ALL DIMENSIONING AND TOLERANCING CONFORM TO ANSI Y14.5M-1994
2. ALL DIMENSIONS ARE IN MILLIMETERS.
3. INDEX AREA (PIN1 IDENTIFIER)

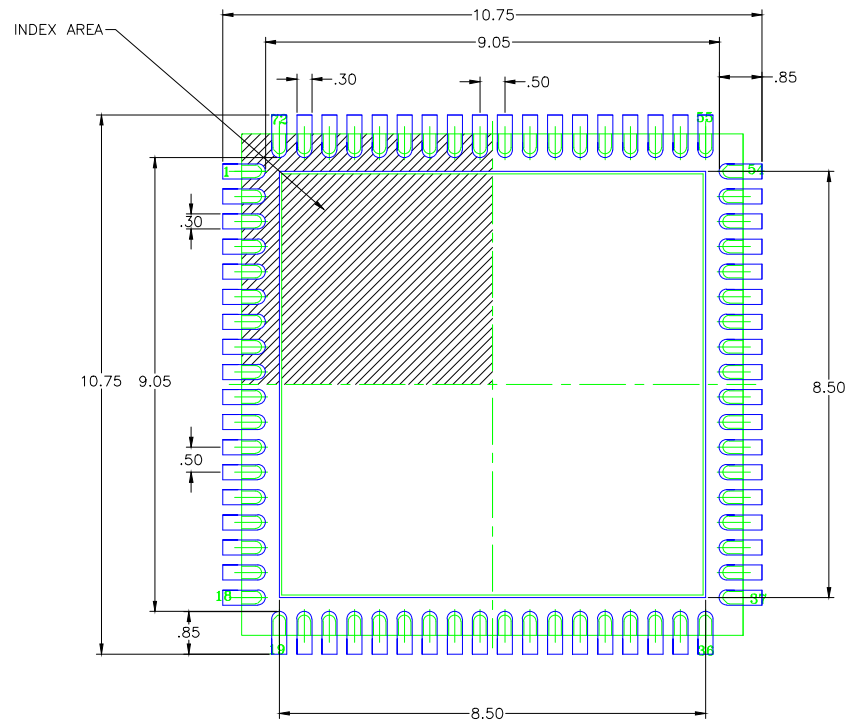
TOLERANCES UNLESS SPECIFIED		 IDT™ www.IDT.com	6024 Silver Creek Valley Road San Jose, CA 95138	
DECIMAL	ANGULAR		PHONE: (408) 284-8200	
X±			FAX: (408) 284-8591	
XX±				
XXX±				
APPROVALS	DATE	TITLE NL/NLG72 PACKAGE OUTLINE		
DRAWN <i>oac</i>	2/2/16	10.0 x 10.0 mm BODY, EPAD 8.4mm SQ.		
CHECKED		0.50 mm Pitch QFN (SAWN)		
		SIZE	DRAWING No.	REV
		C	PSC-4208-03	00
DO NOT SCALE DRAWING				SHEET 1 OF 3

REVISIONS			
REV	DESCRIPTION	DATE	APPROVED
00	INITIAL RELEASE.	2/2/16	JH

SYMBOL	DIMENSIONS		
	MIN.	NOM.	MAX.
D2	8.30	8.40	8.50
E2	8.30	8.40	8.50
A2	0.00	0.65	1.00
L	0.30	0.40	0.50
A	0.80	0.90	1.00
A1	0.00	0.02	0.05
A3	0.20 ref.		
b	0.18	0.25	0.30
Ⓢ	0.50 BSC		
D	10.00 BSC		
E	10.00 BSC		
k	0.40 ref.		
TOLERANCES			
aaa	0.15		
bbb	0.10		
ccc	0.05		
eee	0.8		
fff	0.10		

TOLERANCES UNLESS SPECIFIED		 IDT™ www.IDT.com	6024 Silver Creek Valley Road San Jose, CA 95138 PHONE: (408) 284-8200 FAX: (408) 284-8591	
DECIMAL	ANGULAR		X±	
XX±			XXX±	
APPROVALS			DATE	TITLE NL/NLG72 PACKAGE OUTLINE
DRAWN <i>RAC</i>		2/2/16	10.0 x 10.0 mm BODY, EPAD 8.4mm SQ.	
CHECKED			0.50 mm Pitch QFN (SAWN)	
SIZE		DRAWING No.	REV	
C		PSC-4208-03	00	
DO NOT SCALE DRAWING			SHEET 2 OF 3	


REVISIONS			
REV	DESCRIPTION	DATE	APPROVED
00	INITIAL RELEASE.	2/2/16	JH



RECOMMENDED LAND PATTERN DIMENSION

NOTES:

1. ALL DIMENSIONS ARE IN mm. ANGLES IN DEGREES.
2. TOP DOWN VIEW. AS VIEWED ON PCB.
3. COMPONENT OUTLINE SHOWS FOR REFERENCE IN GREEN.
4. LAND PATTERN IN BLUE. NSMD PATTERN ASSUMED.
5. LAND PATTERN RECOMMENDATION PER IPC-7351B GENERIC REQUIREMENT FOR SURFACE MOUNT DESIGN AND LAND PATTERN.

TOLERANCES UNLESS SPECIFIED		 IDT™ 6024 Silver Creek Valley Road San Jose, CA 95138 PHONE: (408) 284-8200 www.IDT.com FAX: (408) 284-8591	TITLE NL/NLG72 PACKAGE OUTLINE 10.0 x 10.0 mm BODY, EPAD 8.4mm SQ. 0.50 mm Pitch QFN (SAWN)				
DECIMAL	ANGULAR		APPROVALS	DATE			
X±			DRAWN <i>rac</i>	2/2/16			
XX±		CHECKED		SIZE	DRAWING No.	REV	
XXX±				C	PSC-4208-03	00	
DO NOT SCALE DRAWING						SHEET 3 OF 3	