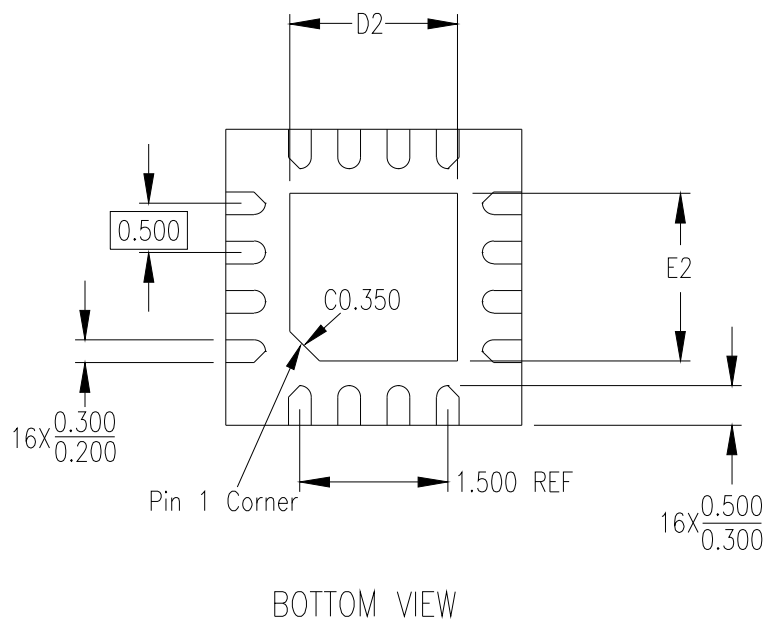
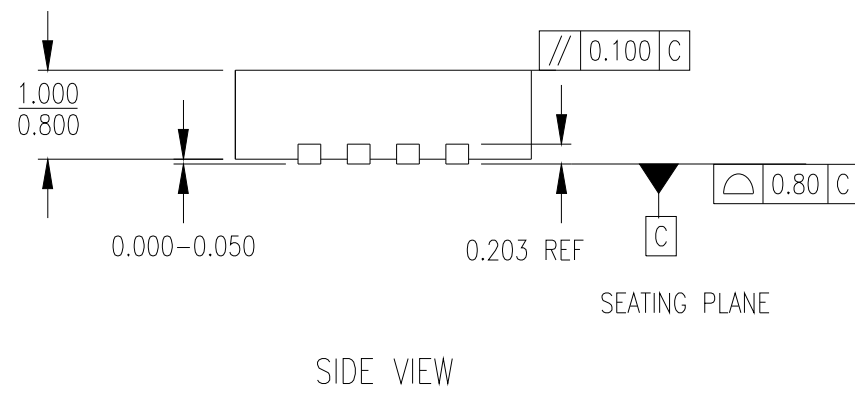
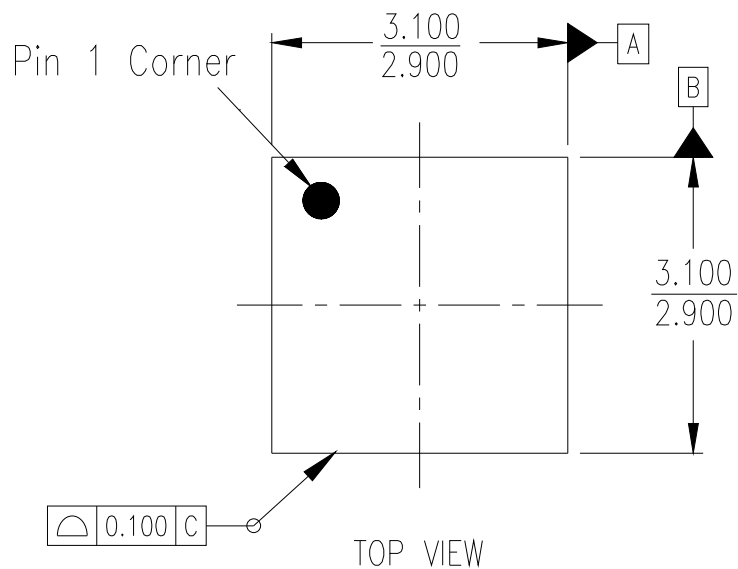


DATE CREATED	REVISIONS		
	REV	DESCRIPTION	AUTHOR
10/15/08	00	INITIAL RELEASE	RC
9/17/13	01	COMBINE POD & LAND PATTERN	KS
8/15/17	02	ADD EPAD OPTION, UPDATE LAND PATTERN	JH
7/6/18	03	CHANGE QFN TO VQFPN, SPECIFY EPAD OPTION	RC


NOTE: REFER TO DCP FOR OFFICIAL RELEASE DATE



EPAD OPTIONS:

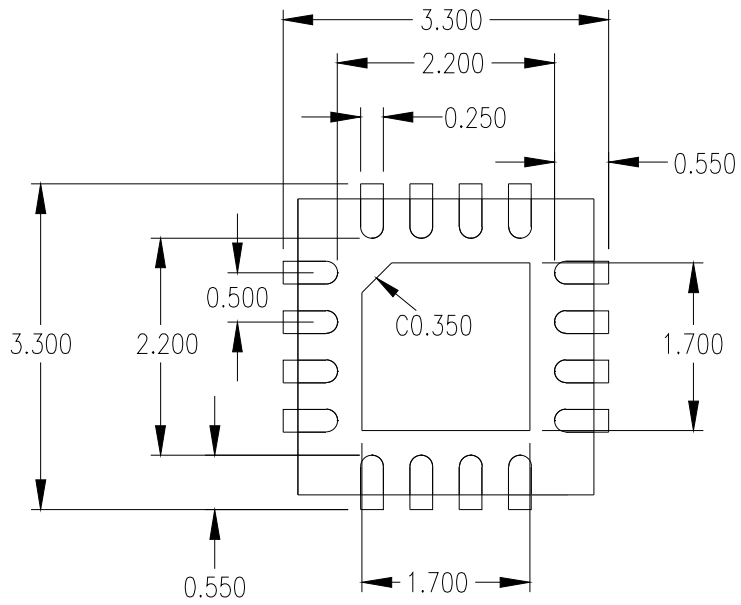
SYMBOL	P2			P3		
	MIN	NOM	MAX	MIN	NOM	MAX
D2	1.600	1.700	1.800	1.500	1.600	1.700
E2	1.600	1.700	1.800	1.500	1.600	1.700

NOTES:
1. ALL DIMENSION IN MM. ANGLES IN DEGREES

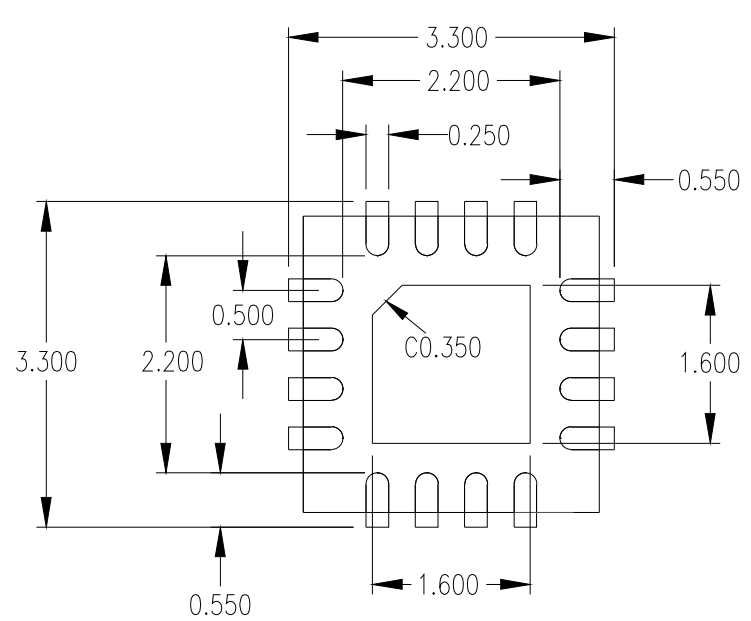
TOLERANCES UNLESS SPECIFIED DECIMAL ANGULAR XX± ± XXX± ± XXXX± ±	 6024 Silver Creek Valley Road San Jose, CA 95138 PHONE: (408) 284-8200 FAX: (408) 284-8591 www.IDT.com	
SIZE C	DRAWING No. PSC-4169	REV 03
DO NOT SCALE DRAWING		SHEET 1 OF 2

DATE CREATED	REVISIONS		
	REV	DESCRIPTION	AUTHOR
10/15/08	00	INITIAL RELEASE	RC
9/17/13	01	COMBINE POD & LAND PATTERN	KS
8/15/17	02	ADD EPAD OPTION, UPDATE LAND PATTERN	JH
7/6/18	03	CHANGE OPN TO VFQFPN, SPECIFY EPAD OPTION	RC

NOTE: REFER TO DCP FOR OFFICIAL RELEASE DATE



P2




P3

LAND PATTERN RECOMMENDED DIMENSION

NOTES:

1. ALL DIMENSION IN MM. ANGLES IN DEGREES
 2. TOP DOWN VIEW AS VIEWED IN PCB
- LAND PATTERN RECOMMENDATION PER IPC-7351B GENERIC REQUIREMENT FOR SURFACE MOUNT DESIGN AND LAND PATTERN

TOLERANCES UNLESS SPECIFIED		 6024 Silver Creek Valley Road San Jose, CA 95138 PHONE: (408) 284-8200 FAX: (408) 284-8591
DECIMAL	ANGULAR	
XX±	±	www.IDT.com
XXX±		
XXXX±		
TITLE		NLG16 Package Outline Drawing 3.0 x 3.0 x 1.0 mm Body, 0.5mm Pitch VFQFPN
SIZE	DRAWING No.	REV
C	PSC-4169	03
DO NOT SCALE DRAWING		SHEET 2 OF 2