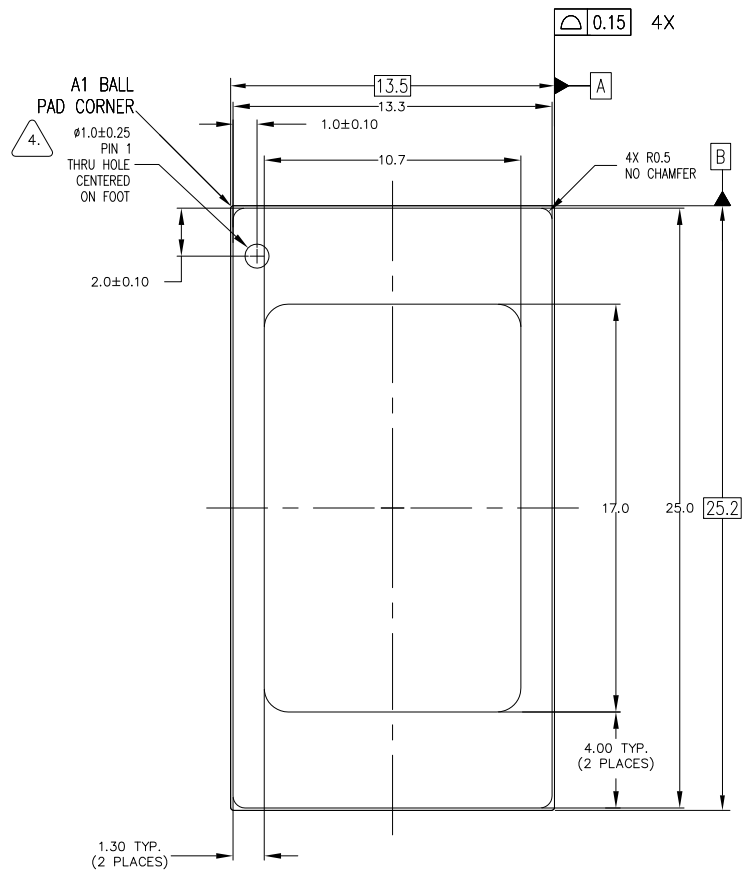
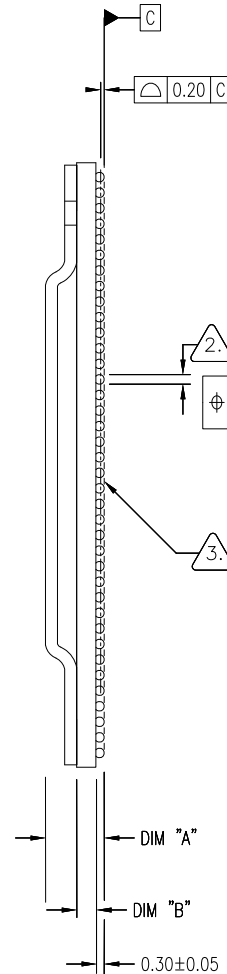


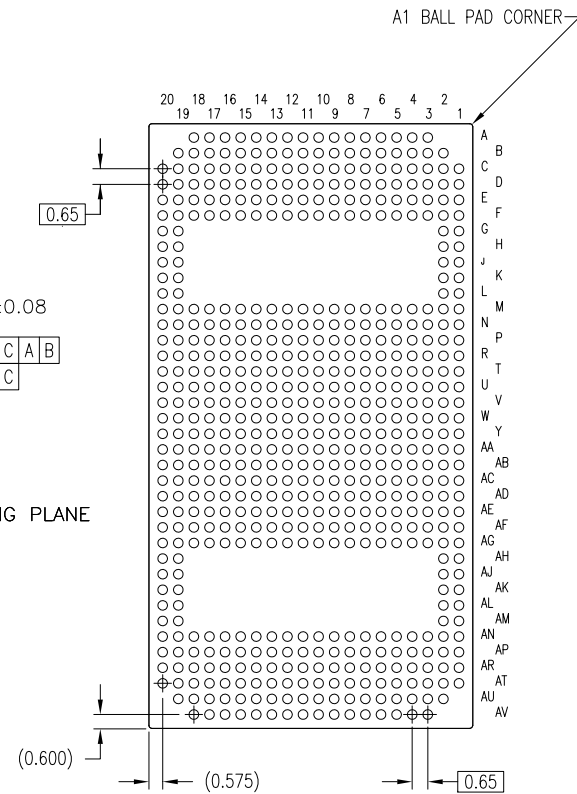
REVISIONS			
REV	DESCRIPTION	DATE	APPROVED
00	INITIAL RELEASE	11/14/11	CK
01	COMBINE POD & LAND PATTERN	5/31/13	KS
02	CHANGE LID FROM FLAT TYPE TO HAT TYPE	5/21/14	CK



TOP VIEW



SIDE VIEW



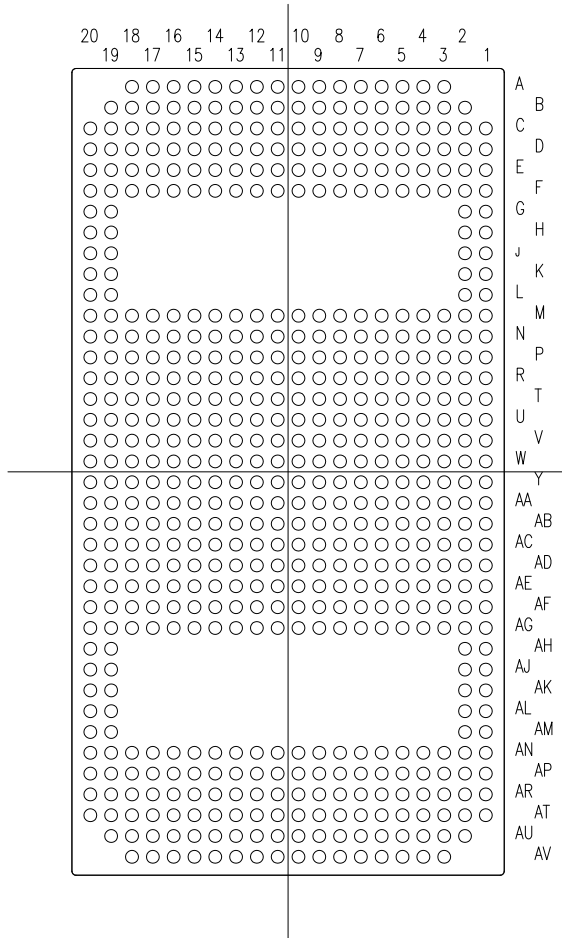
2.51 ± 0.19	0.79 ± 0.15
DIM "A"	DIM "B"
THICKNESS SCHEDULE 0.40 CORE	

BOTTOM VIEW

(BALL SIDE VIEW)

TOLERANCES UNLESS SPECIFIED		 6024 Silver Creek Valley Rd San Jose, CA 95138 PHONE: (408) 284-8200 FAX: (408) 284-2775 www.IDT.com	TITLE ML/MLG 588 PACKAGE OUTLINE 13.50 X 25.20 mm BODY 0.65 mm BALLPITCH FCBGA	
DECIMAL	ANGULAR		DRAWN	DATE
XX±	±		CJC	11/14/11
XXX±			CHECKED	
XXXX±		SIZE	DRAWING No.	REV
		C	PSC-4397	02
DO NOT SCALE DRAWING				SHEET 1 OF 4


REVISIONS			
REV	DESCRIPTION	DATE	APPROVED
00	INITIAL RELEASE	11/14/11	CK
01	COMBINE POD & LAND PATTERN	5/31/13	KS
02	CHANGE LID FROM FLAT TYPE TO HAT TYPE	5/21/14	CK

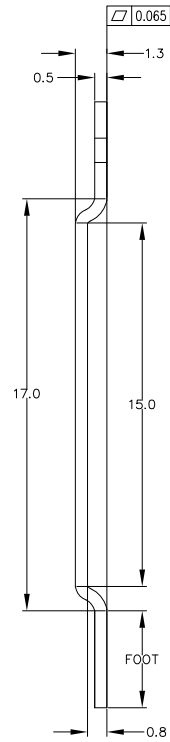
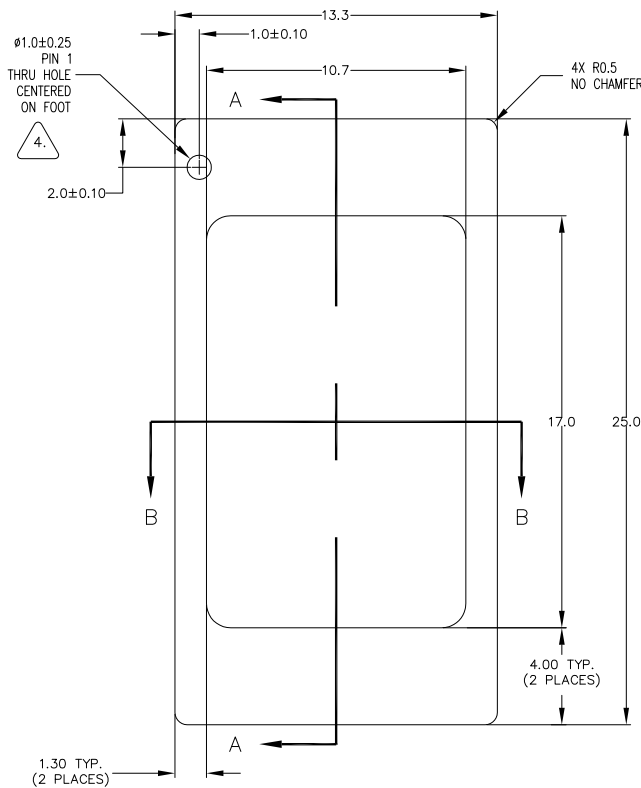


BOTTOM VIEW
(BALL SIDE VIEW)

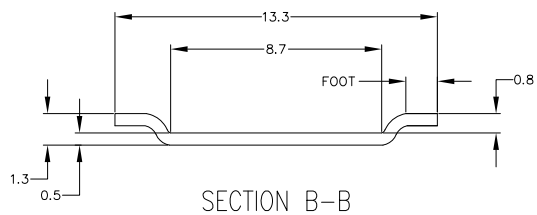
NOTES:

- 1 ALL DIMENSIONING AND TOLERANCING CONFORM TO ANSI Y14.5M-1982
- 2 MEASURED AT THE MAXIMUM SOLDER BALL DIAMETER, PARALLEL TO PRIMARY DATUM $\boxed{-C-}$
- 3 SEATING PLANE AND PRIMARY DATUM $\boxed{-C-}$ ARE DEFINED BY THE SPHERICAL CROWNS OF THE SOLDER BALLS
- 4 "A1" ID CORNER MUST BE IDENTIFIED BY CHAMFER, INK MARK, METALLIZED MARKING, INDENTATION OR OTHER FEATURE ON PACKAGE BODY
- 5 ALL DIMENSIONS ARE IN MILLIMETERS

TOLERANCES UNLESS SPECIFIED		 www.IDT.com	6024 Silver Creek Valley Rd San Jose, CA 95138 PHONE: (408) 284-8200 FAX: (408) 284-2775	
DECIMAL	ANGULAR			
XX±	±			
XXX±				
XXXX±				
APPROVALS	DATE	TITLE ML/MLG 588 PACKAGE OUTLINE		
DRAWN CXC	11/14/11	13.50 X 25.20 mm BODY		
CHECKED		0.65 mm BALLPITCH FCBGA		
		SIZE	DRAWING No.	REV
		C	PSC-4397	02
DO NOT SCALE DRAWING				SHEET 2 OF 4



SECTION A-A




SECTION B-B

NOTES: UNLESS OTHERWISE SPECIFIED

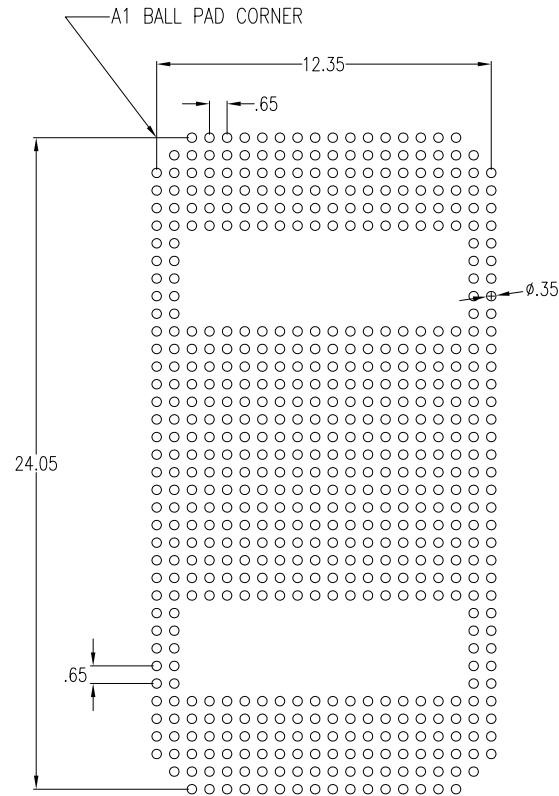
1. MATERIALS: OXYGEN FREE 1/2 H OR O Cu. C1020 OR C1100.
2. FINISH: 200 ±100uin MIN. NICKEL PLATING WITH SEMI BRIGHT FINISH, ON BOTH SIDES.
3. MAXIMUM ALLOWABLE EDGE BURRS SHALL NOT EXCEED 0.1mm.
4. PIN 1 INDENT SHALL BE CENTERED WITHIN FOOT AREA.



REVISIONS			
REV	DESCRIPTION	DATE	APPROVED
00	INITIAL RELEASE	11/14/11	CK
01	COMBINE POD & LAND PATTERN	5/31/13	KS
02	CHANGE LID FROM FLAT TYPE TO HAT TYPE	5/21/14	CK

TOLERANCES UNLESS SPECIFIED		 www.IDT.com	6024 Silver Creek Valley Rd San Jose, CA 95138 PHONE: (408) 284-8200 FAX: (408) 284-2775	
DECIMAL	ANGULAR			
XX±	±			
XXX±				
XXXX±				
XXXX±				
APPROVALS	DATE	TITLE ML/MLG 588 PACKAGE OUTLINE		
DRAWN <i>CS</i>	11/14/11	13.50 X 25.20 mm BODY		
CHECKED		0.65 mm BALLPITCH FCBGA		
		SIZE	DRAWING No.	REV
		C	PSC-4397	02
DO NOT SCALE DRAWING				SHEET 3 OF 4


REVISIONS			
REV	DESCRIPTION	DATE	APPROVED
00	INITIAL RELEASE	11/14/11	CK
01	COMBINE POD & LAND PATTERN	5/31/13	KS
02	CHANGE LID FROM FLAT TYPE TO HAT TYPE	5/21/14	CK



RECOMMENDED LAND PATTERN DIMENSION

NOTE:

- 1) ALL dimensions are in mm, Angles in degrees.
- 2) Top down view, as view on PCB.
- 3) NSMD Land Pattern Assumed
- 4) Land Pattern Recommendation as per IPC-7351B generic requirement for surface mount design and Land Pattern.

TOLERANCES UNLESS SPECIFIED		 IDT™ www.IDT.com	6024 Silver Creek Valley Rd San Jose, CA 95138 PHONE: (408) 284-8200 FAX: (408) 284-2775	
DECIMAL	ANGULAR			
XX±	±			
XXX±				
XXXX±				
APPROVALS	DATE	TITLE ML/MLG 588 PACKAGE OUTLINE		
DRAWN <i>CK</i>	11/14/11	13.50 X 25.20 mm BODY		
CHECKED		0.65 mm BALLPITCH FCBCGA		
		SIZE	DRAWING No.	REV
		C	PSC-4397	02
DO NOT SCALE DRAWING				SHEET 4 OF 4