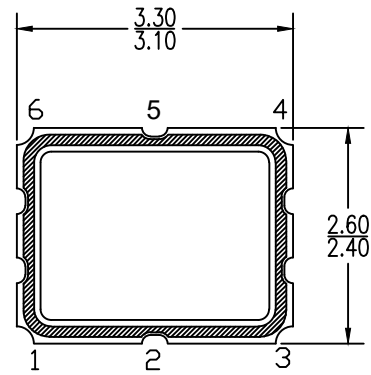
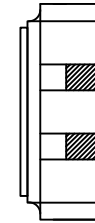


		REVISIONS	
DATE CREATED	REV	DESCRIPTION	AUTHOR
7/30/18	00	INITIAL RELEASE	R.C

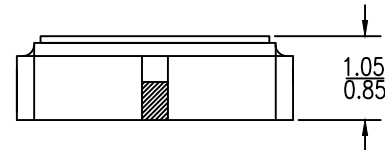
NOTE: REFER TO DCP FOR OFFICIAL RELEASE



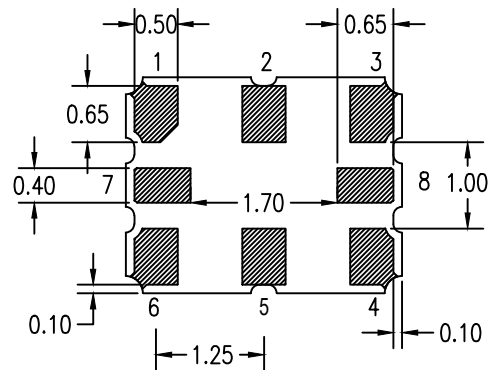
TOP VIEW



SIDE VIEW




SIDE VIEW

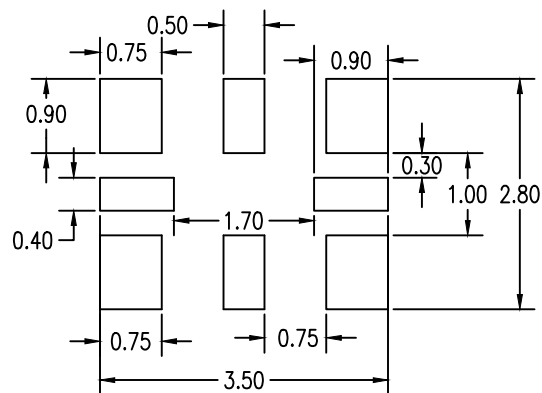


BOTTOM VIEW

- NOTES:
1. ALL DIMENSIONING AND TOLERANCING CONFORM TO ANSI Y14.5M-1982
 2. ALL DIMENSION ARE IN MM.


TOLERANCES UNLESS SPECIFIED		 www.IDT.com	6024 Silver Creek Valley Rd San Jose, CA 95138 PHONE: (408) 284-8200 FAX: (408) 284-3572	
DECIMAL	ANGULAR			
XX±	±			
XXX±				
		TITLE JSW8 Package Outline Drawing 3.2 x 2.5 x 0.95 mm Body, COL		
SIZE	DRAWING No.	REV		
C	PSC-4775	00		
DO NOT SCALE DRAWING			SHEET 1 OF 2	

DATE CREATED		REVISIONS		
DATE CREATED	REV	DESCRIPTION	AUTHOR	
7/30/18	00	INITIAL RELEASE	R.C	
NOTE: REFER TO DCP FOR OFFICIAL RELEASE				



RECOMMENDED LAND PATTERN DIMENSIONS

NOTE: ALL DIMENSIONS ARE IN MILLIMETERS

TOLERANCES UNLESS SPECIFIED		 www.IDT.com	6024 Silver Creek Valley Rd San Jose, CA 95138	
DECIMAL	ANGULAR		PHONE: (408) 284-8200	
XX±	±		FAX: (408) 284-3572	
XXX±				
TITLE			JSW8 Package Outline Drawing 3.2 x 2.5 x 0.95 mm Body, COL	
SIZE	DRAWING No.	REV		
C	PSC-4775	00		
DO NOT SCALE DRAWING			SHEET 2 OF 2	