



# HIGH-SPEED 3.3V 32K x 9 SYNCHRONOUS PIPELINED DUAL-PORT STATIC RAM

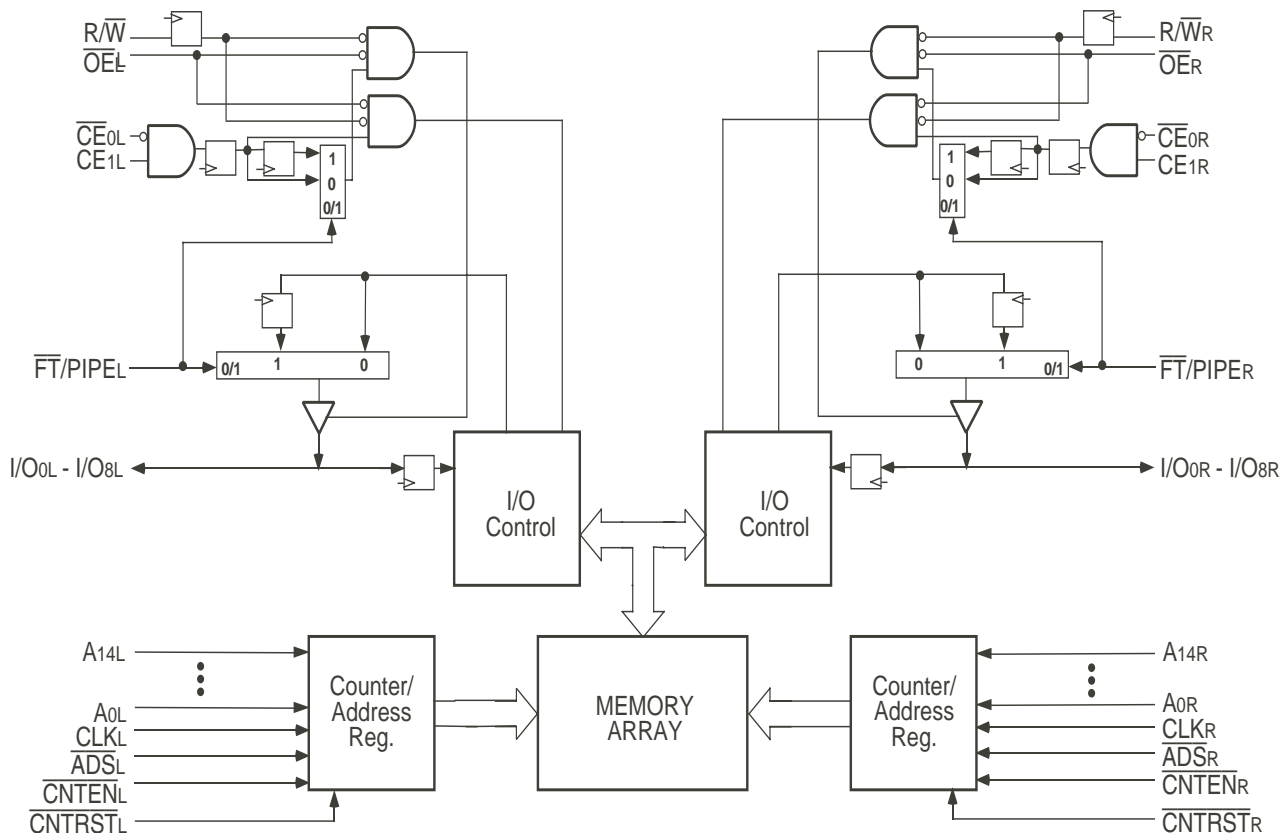
**IDT70V9179L**

LEAD FINISH (SnPb) ARE IN EOL PROCESS - LAST TIME BUY EXPIRES JUNE 15, 2018

## Features:

- ♦ True Dual-Ported memory cells which allow simultaneous access of the same memory location
- ♦ High-speed clock to data access
  - Commercial: 7.5/9/12ns (max.)
  - Industrial: 9ns (max.)
- ♦ Low-power operation
  - IDT70V9179L
  - Active: 500mW (typ.)
  - Standby: 1.5mW (typ.)
- ♦ Flow-Through or Pipelined output mode on either port via the FT/PIPE pins
- ♦ Dual chip enables allow for depth expansion without additional logic
- ♦ Counter enable and reset features
- ♦ Full synchronous operation on both ports
  - 4ns setup to clock and 0ns hold on all control, data, and address inputs
  - Data input, address, and control registers
  - Fast 7.5ns clock to data out in the Pipelined output mode
  - Self-timed write allows fast cycle time
  - 12ns cycle time, 83MHz operation in Pipelined output mode
- ♦ LVTTTL-compatible, single 3.3V ( $\pm 0.3V$ ) power supply
- ♦ Industrial temperature range ( $-40^{\circ}C$  to  $+85^{\circ}C$ ) is available for selected speeds
- ♦ Available in a 100-pin Thin Quad Flatpack (TQFP)
- ♦ Green parts available, see ordering information

## Functional Block Diagram



4860 drw 01

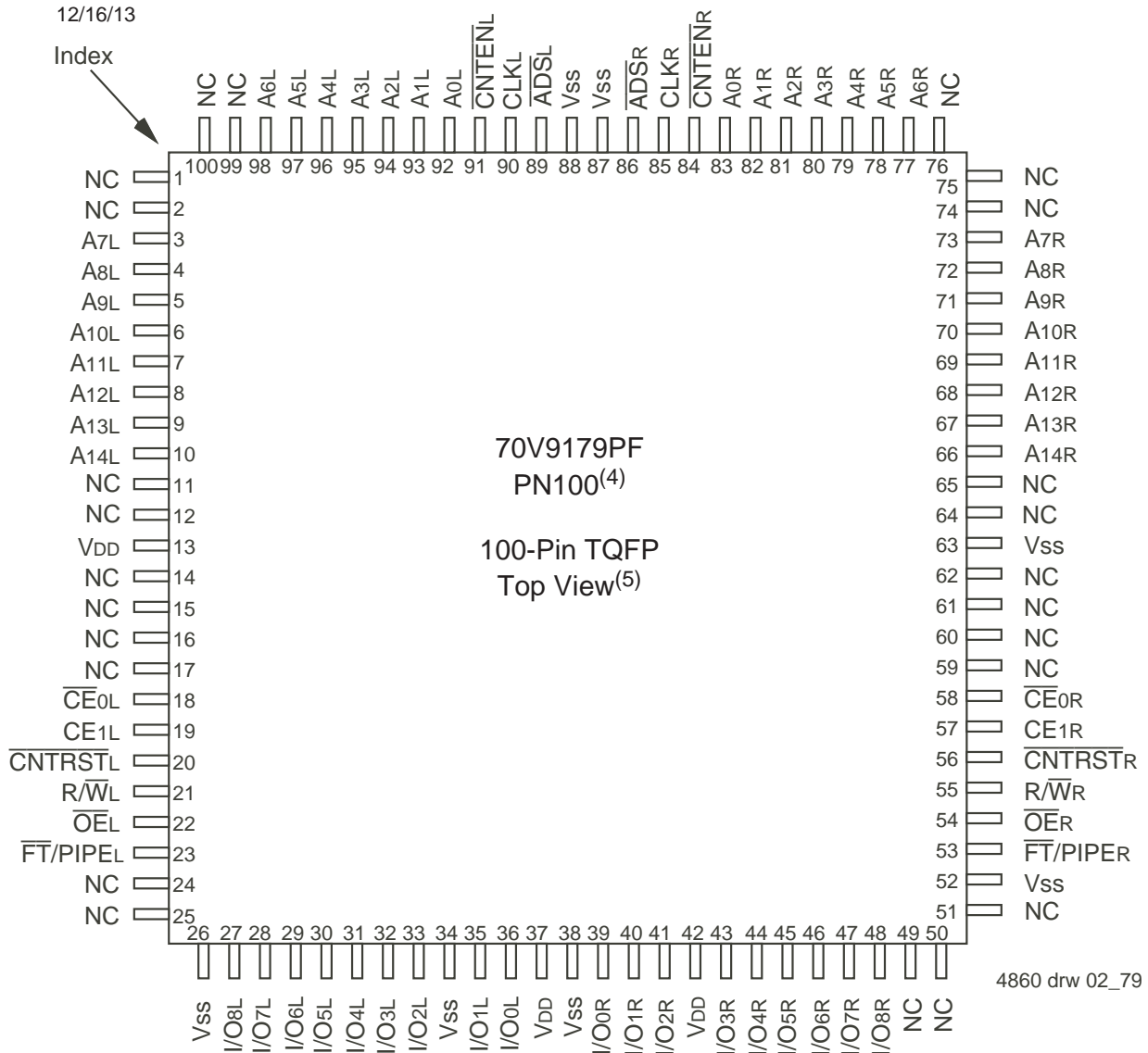
FEBRUARY 2018

**Description:**

The IDT70V9179 is a high-speed 64/32K x 9 bit synchronous Dual Port RAM. The memory array utilizes Dual-Port memory cells to allow simultaneous access of any address from both ports. Registers on control, data, and address inputs provide minimal setup and hold times. The timing latitude provided by this approach allows systems to be designed with very short cycle times.

With an input data register, the IDT70V9179 has been optimized for applications having unidirectional or bidirectional data flow in bursts. An automatic power down feature, controlled by  $\overline{CE}0$  and  $CE1$ , permits the on-chip circuitry of each port to enter a very low standby power mode. Fabricated using CMOS high-performance technology, these devices typically operate on only 500mW of power.

**Pin Configuration<sup>(1,2,3)</sup>**



**NOTES:**

1. All Vcc pins must be connected to power supply.
2. All GND pins must be connected to ground.
3. Package body is approximately 14mm x 14mm x 1.4mm.
4. This package code is used to reference the package diagram.
5. This text does not indicate orientation of the actual part-marking.

## Pin Names

Left Port	Right Port	Names
$\overline{CE}0L, CE1L$	$\overline{CE}0R, CE1R$	Chip Enables
R/WL	R/WR	Read/Write Enable
$\overline{OE}L$	$\overline{OE}R$	Output Enable
A0L - A14L	A0R - A14R	Address
I/O0L - I/O8L	I/O0R - I/O8R	Data Input/Output
CLKL	CLKR	Clock
$\overline{ADS}L$	$\overline{ADS}R$	Address Strobe Enable
$\overline{CNTEN}L$	$\overline{CNTEN}R$	Counter Enable
$\overline{CNTRST}L$	$\overline{CNTRST}R$	Counter Reset
$\overline{FT}/PIPEL$	$\overline{FT}/PIPER$	Flow-Through / Pipeline
VDD		Power (3.3V)
VSS		Ground (0V)

4860 tbl 01

## NOTE:

1.  $\overline{LB}$  and  $\overline{UB}$  are single buffered regardless of state of  $\overline{FT}/PIPE$ .
2.  $\overline{CE}0$  and  $CE1$  are single buffered when  $\overline{FT}/PIPE = V_{IL}$ ,  $\overline{CE}0$  and  $CE1$  are double buffered when  $\overline{FT}/PIPE = V_{IH}$ , i.e. the signals take two cycles to deselect.

Truth Table I—Read/Write and Enable Control<sup>(1,2,3)</sup>

$\overline{OE}$	CLK	$\overline{CE}0$	$CE1$	R/W	I/O <sub>0-8</sub>	MODE
X	↑	H	X	X	High-Z	Deselected—Power Down
X	↑	X	L	X	High-Z	Deselected—Power Down
X	↑	L	H	L	DATA <sub>IN</sub>	Write
L	↑	L	H	H	DATA <sub>OUT</sub>	Read
H	X	L	H	X	High-Z	Outputs Disabled

4860 tbl 02

## NOTES:

1. "H" =  $V_{IH}$ , "L" =  $V_{IL}$ , "X" = Don't Care.
2.  $\overline{ADS}$ ,  $\overline{CNTEN}$ ,  $\overline{CNTRST}$  = X.
3.  $\overline{OE}$  is an asynchronous input signal.

Truth Table II—Address Counter Control<sup>(1,2,3)</sup>

External Address	Previous Internal Address	Internal Address Used	CLK	$\overline{ADS}$	$\overline{CNTEN}$	$\overline{CNTRST}$	I/O <sup>(3)</sup>	MODE
A <sub>n</sub>	X	A <sub>n</sub>	↑	L <sup>(4)</sup>	X	H	D <sub>IO</sub> (n)	External Address Used
X	A <sub>n</sub>	A <sub>n</sub> + 1	↑	H	L <sup>(5)</sup>	H	D <sub>IO</sub> (n+1)	Counter Enabled—Internal Address generation
X	A <sub>n</sub> + 1	A <sub>n</sub> + 1	↑	H	H	H	D <sub>IO</sub> (n+1)	External Address Blocked—Counter disabled (A <sub>n</sub> + 1 reused)
X	X	A <sub>0</sub>	↑	X	X	L <sup>(4)</sup>	D <sub>IO</sub> (0)	Counter Reset to Address 0

4860 tbl 03

## NOTES:

1. "H" =  $V_{IH}$ , "L" =  $V_{IL}$ , "X" = Don't Care.
2.  $\overline{CE}0$  and  $\overline{OE}$  =  $V_{IL}$ ;  $CE1$  and R/W =  $V_{IH}$ .
3. Outputs configured in Flow-Through Output mode: if outputs are in Pipelined mode the data out will be delayed by one cycle.
4.  $\overline{ADS}$  and  $\overline{CNTRST}$  are independent of all other signals including  $\overline{CE}0$  and  $CE1$ .
5. The address counter advances if  $\overline{CNTEN} = V_{IL}$  on the rising edge of CLK, regardless of all other signals including  $\overline{CE}0$  and  $CE1$ .

## Recommended Operating Temperature and Supply Voltage

Grade	Ambient Temperature <sup>(2)</sup>	GND	V <sub>DD</sub>
Commercial	0°C to +70°C	0V	3.3V ± 0.3V
Industrial	-40°C to +85°C	0V	3.3V ± 0.3V

**NOTES:**

1. This is the parameter T<sub>A</sub>. This is the "instant on" case temperature.

4860 tbl 04

## Recommended DC Operating Conditions

Symbol	Parameter	Min.	Typ.	Max.	Unit
V <sub>DD</sub>	Supply Voltage	3.0	3.3	3.6	V
V <sub>SS</sub>	Ground	0	0	0	V
V <sub>IH</sub>	Input High Voltage	2.0V	—	V <sub>CC</sub> +0.3V <sup>(2)</sup>	V
V <sub>IL</sub>	Input Low Voltage	-0.3 <sup>(1)</sup>	—	0.8	V

**NOTES:**

1. V<sub>IL</sub> ≥ -1.5V for pulse width less than 10 ns.
2. V<sub>TERM</sub> must not exceed V<sub>DD</sub> +0.3V.

4860 tbl 05

## Absolute Maximum Ratings<sup>(1)</sup>

Symbol	Rating	Commercial & Industrial	Unit
V <sub>TERM</sub> <sup>(2)</sup>	Terminal Voltage with Respect to GND	-0.5 to +4.6	V
T <sub>BIAS</sub>	Temperature Under Bias	-55 to +125	°C
T <sub>STG</sub>	Storage Temperature	-65 to +150	°C
T <sub>JN</sub>	Junction Temperature	+150	°C
I <sub>OUT</sub>	DC Output Current	50	mA

4860 tbl 06

**NOTES:**

1. Stresses greater than those listed under ABSOLUTE MAXIMUM RATINGS may cause permanent damage to the device. This is a stress rating only and functional operation of the device at these or any other conditions above those indicated in the operational sections of this specification is not implied. Exposure to absolute maximum rating conditions for extended periods may affect reliability.
2. V<sub>TERM</sub> must not exceed V<sub>DD</sub> +0.3V for more than 25% of the cycle time or 10ns maximum, and is limited to ≤ 20mA for the period of V<sub>TERM</sub> ≥ V<sub>DD</sub> + 0.3V.
3. Ambient Temperature Under DC Bias. NO AC Conditions. Chip Deselected.

## Capacitance<sup>(1)</sup>

(T<sub>A</sub> = +25°C, f = 1.0MHz)

Symbol	Parameter	Conditions <sup>(2)</sup>	Max.	Unit
C <sub>IN</sub>	Input Capacitance	V <sub>IN</sub> = 3dV	9	pF
C <sub>OUT</sub> <sup>(3)</sup>	Output Capacitance	V <sub>OUT</sub> = 3dV	10	pF

4860 tbl 07

**NOTES:**

1. These parameters are determined by device characterization, but are not production tested.
2. 3dV references the interpolated capacitance when the input and output switch from 0V to 3V or from 3V to 0V.
3. C<sub>OUT</sub> also references C<sub>I/O</sub>.

## DC Electrical Characteristics Over the Operating Temperature and Supply Voltage Range (V<sub>DD</sub> = 3.3V ± 0.3V)

Symbol	Parameter	Test Conditions	70V9179L		Unit
			Min.	Max.	
I <sub>LI</sub>	Input Leakage Current <sup>(1)</sup>	V <sub>DD</sub> = 3.6V, V <sub>IN</sub> = 0V to V <sub>DD</sub>	—	5	μA
I <sub>LO</sub>	Output Leakage Current	$\overline{CE} = V_{IH}$ or CE <sub>1</sub> = V <sub>IL</sub> , V <sub>OUT</sub> = 0V to V <sub>DD</sub>	—	5	μA
V <sub>OL</sub>	Output Low Voltage	I <sub>OL</sub> = +4mA	—	0.4	V
V <sub>OH</sub>	Output High Voltage	I <sub>OH</sub> = -4mA	2.4	—	V

**NOTE:**

1. At V<sub>DD</sub> ≤ 2.0V input leakages are undefined.

4860 tbl 08\_79

## DC Electrical Characteristics Over the Operating Temperature Supply Voltage Range<sup>(3)</sup> ( $V_{DD} = 3.3V \pm 0.3V$ )

Symbol	Parameter	Test Condition	Version	70V9179L7 Com'l Only		70V9179L9 Com'l & Ind		70V9179L12 Com'l Only		Unit
				Typ. <sup>(4)</sup>	Max.	Typ. <sup>(4)</sup>	Max.	Typ. <sup>(4)</sup>	Max.	
I <sub>CC</sub>	Dynamic Operating Current (Both Ports Active)	$\overline{CE}_L$ and $\overline{CE}_R = V_{IL}$ , Outputs Disabled, $f = f_{MAX}^{(1)}$	COM'L L	200	310	180	260	150	230	mA
			IND L	—	—	180	280	—	—	
I <sub>SB1</sub>	Standby Current (Both Ports - TTL Level Inputs)	$\overline{CE}_L = \overline{CE}_R = V_{IH}$ $f = f_{MAX}^{(1)}$	COM'L L	65	130	50	100	40	80	mA
			IND L	—	—	50	120	—	—	
I <sub>SB2</sub>	Standby Current (One Port - TTL Level Inputs)	$\overline{CE}^*A = V_{IL}$ and $\overline{CE}^*B = V_{IH}^{(5)}$ Active Port Outputs Disabled, $f = f_{MAX}^{(1)}$	COM'L L	140	245	110	190	100	175	mA
			IND L	—	—	110	205	—	—	
I <sub>SB3</sub>	Full Standby Current (Both Ports - CMOS Level Inputs)	Both Ports $\overline{CE}_L$ and $\overline{CE}_R \geq V_{DD} - 0.2V$ , $V_{IN} \geq V_{DD} - 0.2V$ or $V_{IN} \leq 0.2V$ , $f = 0^{(2)}$	COM'L L	0.4	3	0.4	3	0.4	3	mA
			IND L	—	—	0.4	6	—	—	
I <sub>SB4</sub>	Full Standby Current (One Port - CMOS Level Inputs)	$\overline{CE}^*A \leq 0.2V$ and $\overline{CE}^*B \geq V_{DD} - 0.2V^{(5)}$ $V_{IN} \geq V_{DD} - 0.2V$ or $V_{IN} \leq 0.2V$ , Active Port, Outputs Disabled, $f = f_{MAX}^{(1)}$	COM'L L	130	235	100	180	90	165	mA
			IND L	—	—	100	195	—	—	

4860 tbl\_09\_79

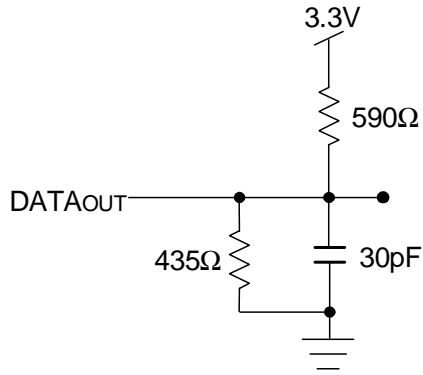
**NOTES:**

- At  $f = f_{MAX}$ , address and control lines (except Output Enable) are cycling at the maximum frequency clock cycle of  $1/t_{cyc}$ , using "AC TEST CONDITIONS" at input levels of GND to 3V.
- $f = 0$  means no address, clock, or control lines change. Applies only to input at CMOS level standby.
- Port "A" may be either left or right port. Port "B" is the opposite from port "A".
- $V_{DD} = 3.3V$ ,  $T_A = 25^\circ C$  for Typ, and are not production tested.  $I_{CC DC}(f=0) = 90mA$  (Typ).
- $\overline{CE}_X = V_{IL}$  means  $\overline{CE}_{0X} = V_{IL}$  and  $CE_{1X} = V_{IH}$   
 $\overline{CE}_X = V_{IH}$  means  $\overline{CE}_{0X} = V_{IH}$  or  $CE_{1X} = V_{IL}$   
 $\overline{CE}_X \leq 0.2V$  means  $\overline{CE}_{0X} \leq 0.2V$  and  $CE_{1X} \geq V_{CC} - 0.2V$   
 $\overline{CE}_X \geq V_{DD} - 0.2V$  means  $\overline{CE}_{0X} \geq V_{DD} - 0.2V$  or  $CE_{1X} \leq 0.2V$   
"X" represents "L" for left port or "R" for right port.

## AC Test Conditions

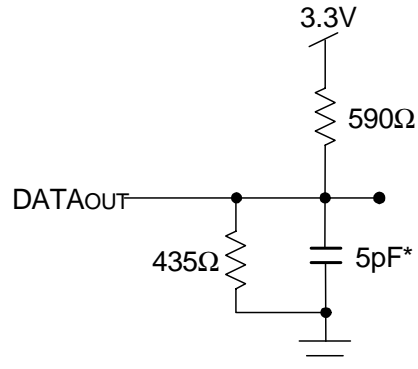
Input Pulse Levels	GND to 3.0V
Input Rise/Fall Times	3ns Max.
Input Timing Reference Levels	1.5V
Output Reference Levels	1.5V
Output Load	Figures 1, 2, and 3

4860 tbl 10



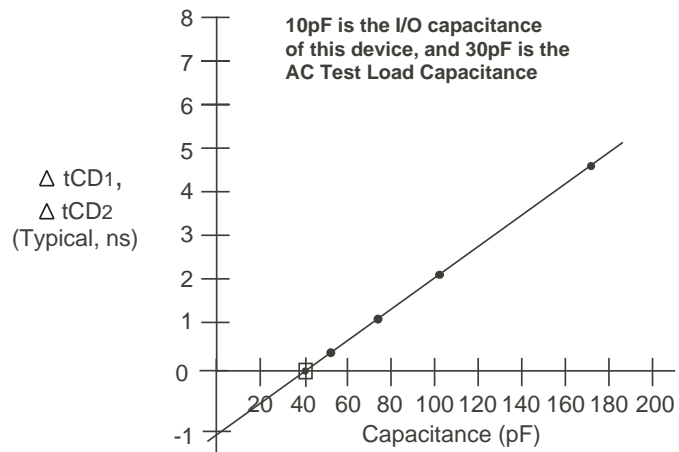
4860 drw 03

Figure 1. AC Output Test load.



4860 drw 04

Figure 2. Output Test Load  
(For t<sub>CKLZ</sub>, t<sub>CKHZ</sub>, t<sub>OLZ</sub>, and t<sub>OHZ</sub>).  
\*Including scope and jig.



4860 drw 05

Figure 3. Typical Output Derating (Lumped Capacitive Load).

## AC Electrical Characteristics Over the Operating Temperature Range (Read and Write Cycle Timing)<sup>(3)</sup> ( $V_{DD} = 3.3V \pm 0.3V$ , $T_A = 0^{\circ}C$ to $+70^{\circ}C$ )

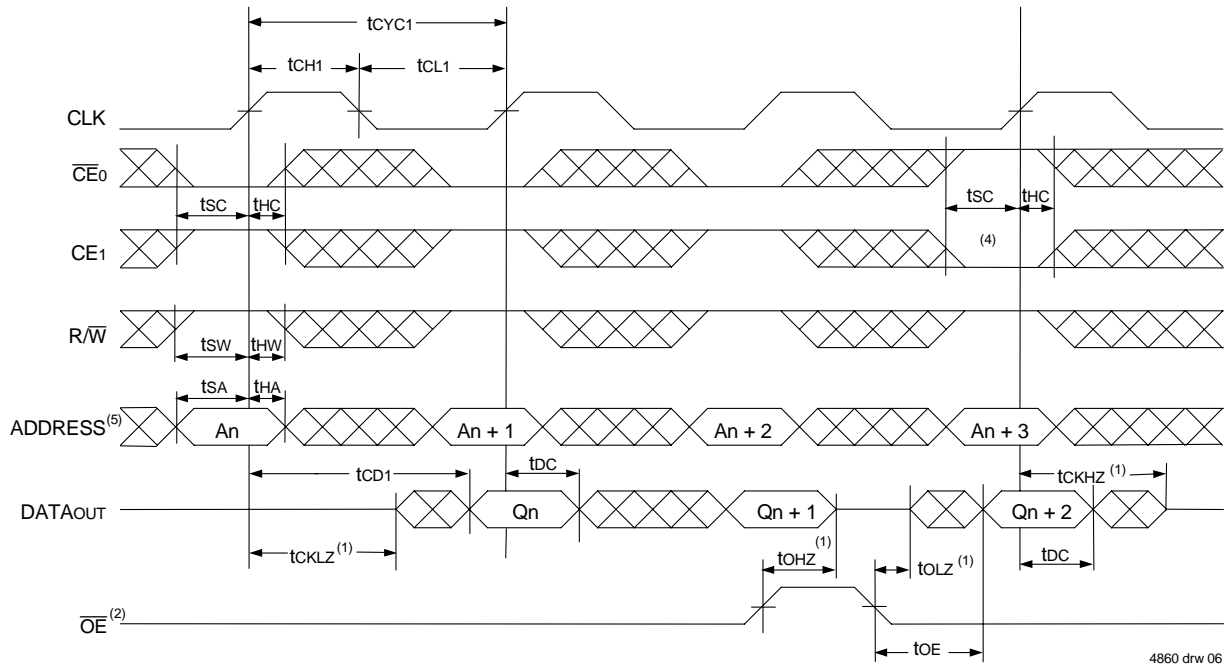
Symbol	Parameter	70V9179L7 Com'l Only		70V9179L9 Com'l & Ind		70V9179L12 Com'l Only		Unit
		Min.	Max.	Min.	Max.	Min.	Max.	
t <sub>CYC1</sub>	Clock Cycle Time (Flow-Through) <sup>(2)</sup>	22	—	25	—	30	—	ns
t <sub>CYC2</sub>	Clock Cycle Time (Pipelined) <sup>(2)</sup>	12	—	15	—	20	—	ns
t <sub>CH1</sub>	Clock High Time (Flow-Through) <sup>(2)</sup>	7.5	—	12	—	12	—	ns
t <sub>CL1</sub>	Clock Low Time (Flow-Through) <sup>(2)</sup>	7.5	—	12	—	12	—	ns
t <sub>CH2</sub>	Clock High Time (Pipelined) <sup>(2)</sup>	5	—	6	—	8	—	ns
t <sub>CL2</sub>	Clock Low Time (Pipelined) <sup>(2)</sup>	5	—	6	—	8	—	ns
t <sub>R</sub>	Clock Rise Time	—	3	—	3	—	3	ns
t <sub>F</sub>	Clock Fall Time	—	3	—	3	—	3	ns
t <sub>SA</sub>	Address Setup Time	4	—	4	—	4	—	ns
t <sub>HA</sub>	Address Hold Time	0	—	1	—	1	—	ns
t <sub>SC</sub>	Chip Enable Setup Time	4	—	4	—	4	—	ns
t <sub>HC</sub>	Chip Enable Hold Time	0	—	1	—	1	—	ns
t <sub>SW</sub>	R/W Setup Time	4	—	4	—	4	—	ns
t <sub>HW</sub>	R/W Hold Time	0	—	1	—	1	—	ns
t <sub>SD</sub>	Input Data Setup Time	4	—	4	—	4	—	ns
t <sub>HD</sub>	Input Data Hold Time	0	—	1	—	1	—	ns
t <sub>SAD</sub>	$\overline{ADS}$ Setup Time	4	—	4	—	4	—	ns
t <sub>HAD</sub>	$\overline{ADS}$ Hold Time	0	—	1	—	1	—	ns
t <sub>SCN</sub>	$\overline{CNTEN}$ Setup Time	4	—	4	—	4	—	ns
t <sub>HCN</sub>	$\overline{CNTEN}$ Hold Time	0	—	1	—	1	—	ns
t <sub>SRST</sub>	$\overline{CNTRST}$ Setup Time	4	—	4	—	4	—	ns
t <sub>HRST</sub>	$\overline{CNTRST}$ Hold Time	0	—	1	—	1	—	ns
t <sub>OE</sub>	Output Enable to Data Valid	—	9	—	12	—	12	ns
t <sub>OLZ</sub>	Output Enable to Output Low-Z <sup>(1)</sup>	2	—	2	—	2	—	ns
t <sub>OHZ</sub>	Output Enable to Output High-Z <sup>(1)</sup>	1	7	1	7	1	7	ns
t <sub>CD1</sub>	Clock to Data Valid (Flow-Through) <sup>(2)</sup>	—	18	—	20	—	25	ns
t <sub>CD2</sub>	Clock to Data Valid (Pipelined) <sup>(2)</sup>	—	7.5	—	9	—	12	ns
t <sub>DC</sub>	Data Output Hold After Clock High	2	—	2	—	2	—	ns
t <sub>CKHZ</sub>	Clock High to Output High-Z <sup>(1)</sup>	2	9	2	9	2	9	ns
t <sub>CKLZ</sub>	Clock High to Output Low-Z <sup>(1)</sup>	2	—	2	—	2	—	ns
<b>Port-to-Port Delay</b>								
t <sub>CWDD</sub>	Write Port Clock High to Read Data Delay	—	28	—	35	—	40	ns
t <sub>CCS</sub>	Clock-to-Clock Setup Time	—	10	—	15	—	15	ns

4860 tbl 11\_79

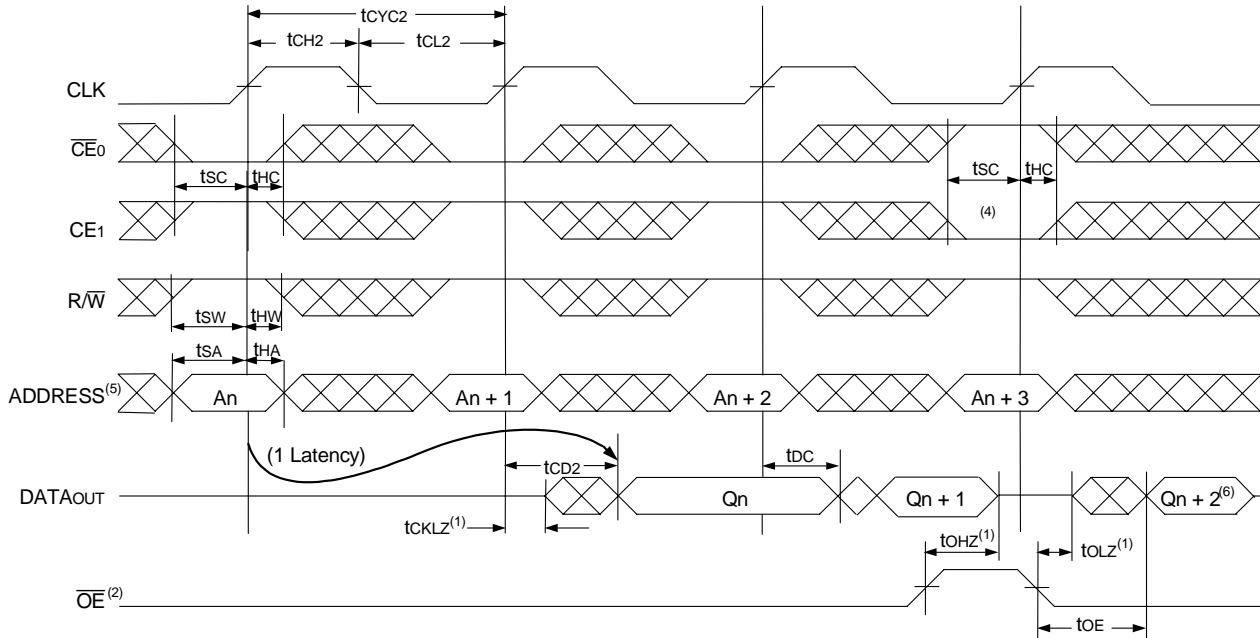
**NOTES:**

- Transition is measured 0mV from Low or High-impedance voltage with the Output Test Load (Figure 2). This parameter is guaranteed by device characterization, but is not production tested.
- The Pipelined output parameters (t<sub>CD2</sub>) apply to either or both the Left and Right ports when  $\overline{FT}/PIPE = V_{IH}$ . Flow-through parameters (t<sub>CYC1</sub>, t<sub>CD1</sub>) apply when  $\overline{FT}/PIPE = V_{IL}$  for that port.
- All input signals are synchronous with respect to the clock except for the asynchronous Output Enable ( $\overline{OE}$ ),  $\overline{FT}/PIPE_R$ , and  $\overline{FT}/PIPE_L$ .

### Timing Waveform of Read Cycle for Flow-Through Output ( $\overline{\text{FT}}/\text{PIPE} \text{ "X" } = V_{\text{IL}}$ )<sup>(3,6)</sup>



### Timing Waveform of Read Cycle for Pipelined Output ( $\overline{\text{FT}}/\text{PIPE} \text{ "X" } = V_{\text{IH}}$ )<sup>(3,6)</sup>

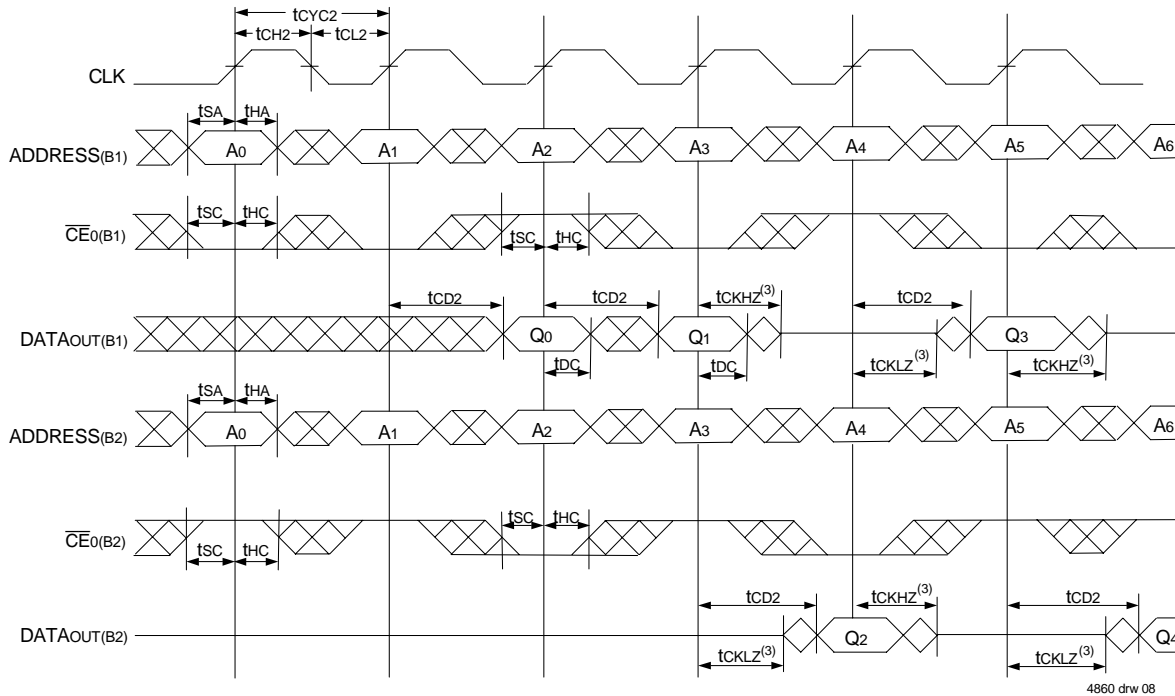


**NOTES:**

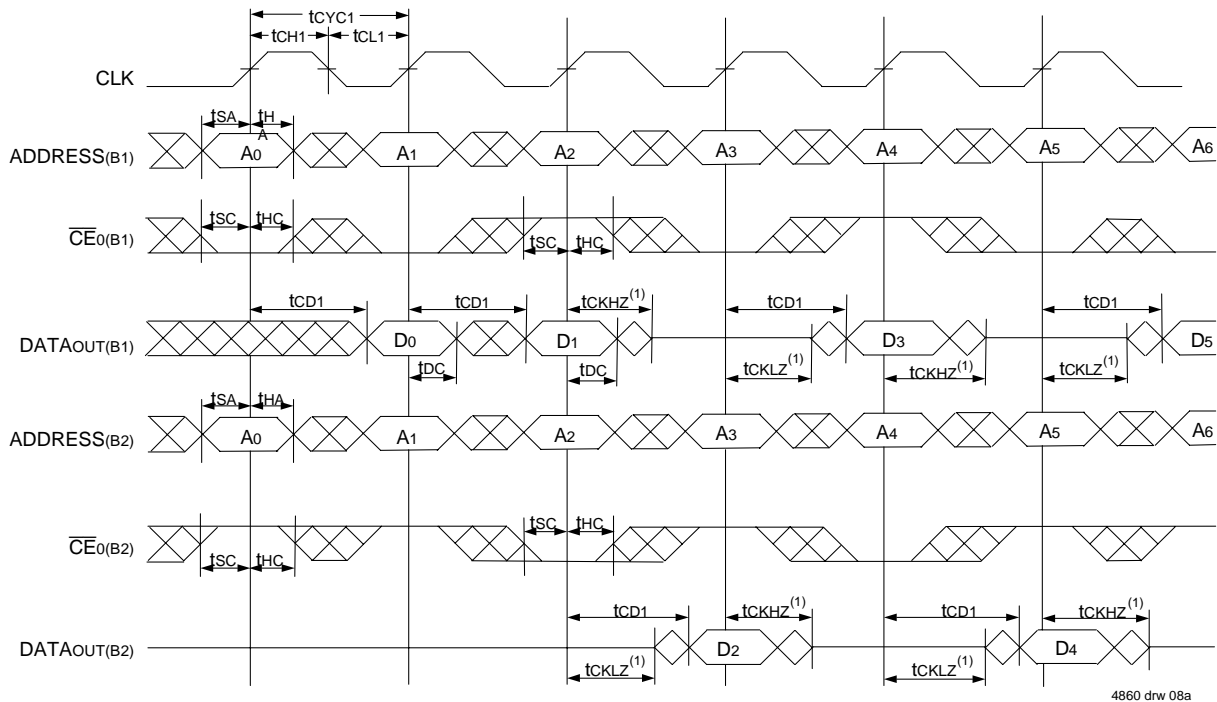
1. Transition is measured 0mV from Low or High-impedance voltage with the Output Test Load (Figure 2).
2.  $\overline{\text{OE}}$  is asynchronously controlled; all other inputs are synchronous to the rising clock edge.
3.  $\overline{\text{ADS}} = V_{\text{IL}}$ ,  $\overline{\text{CNTEN}}$  and  $\overline{\text{CNTRST}} = V_{\text{IH}}$ .
4. The output is disabled (High-Impedance state) by  $\overline{\text{CE}}_0 = V_{\text{IH}}$  or  $\overline{\text{CE}}_1 = V_{\text{IL}}$  following the next rising edge of the clock. Refer to Truth Table 1.
5. Addresses do not have to be accessed sequentially since  $\overline{\text{ADS}} = V_{\text{IL}}$  constantly loads the address on the rising edge of the CLK; numbers are for reference use only.
6. "X" here denotes Left or Right port. The diagram is with respect to that port.



### Timing Waveform of a Bank Select Pipelined Read<sup>(1,2)</sup>



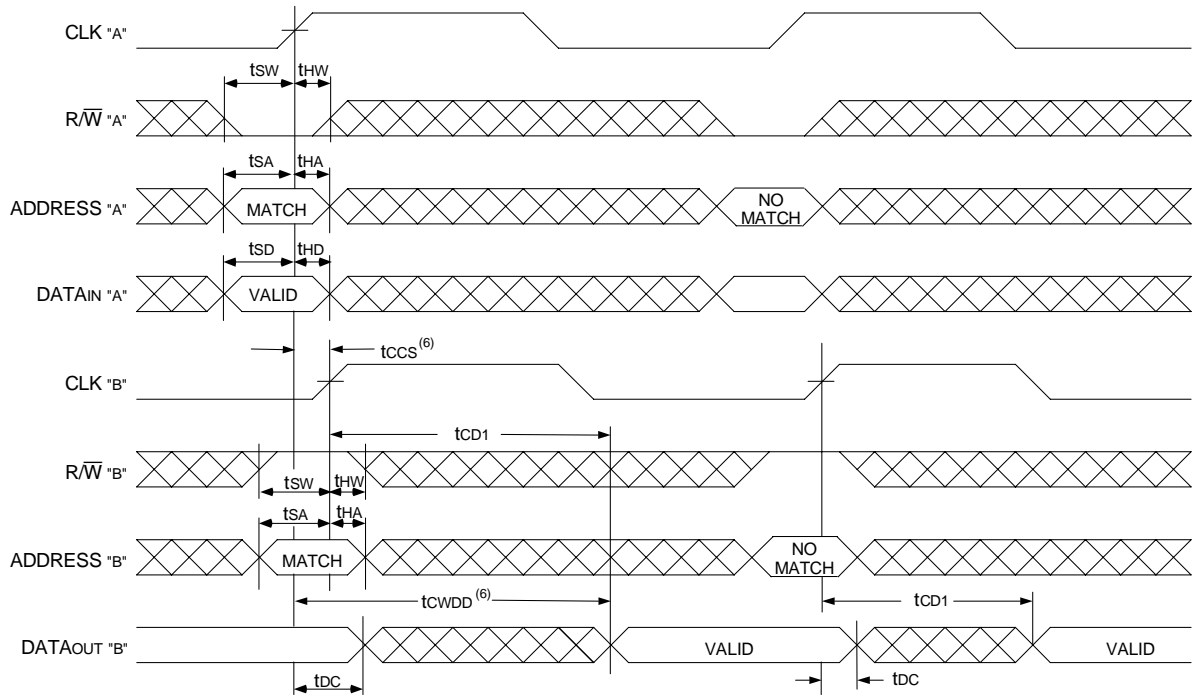
### Timing Waveform of a Bank Select Flow-Through Read<sup>(6)</sup>



**NOTES:**

1. B1 Represents Bank #1; B2 Represents Bank #2. Each Bank consists of one IDT70V9179 for this waveform, and are setup for depth expansion in this example. ADDRESS(B1) = ADDRESS(B2) in this situation.
2.  $\overline{OE}$  and  $\overline{ADS} = V_{IL}$ ;  $CE_1(B1)$ ,  $CE_1(B2)$ ,  $R/\overline{W}$ ,  $\overline{CNTEN}$ , and  $\overline{CNTRST} = V_{IH}$ .
3. Transition is measured 0mV from Low or High-impedance voltage with the Output Test Load (Figure 2).
4.  $\overline{CE}_0$  and  $\overline{ADS} = V_{IL}$ ;  $CE_1$ ,  $\overline{CNTEN}$ , and  $\overline{CNTRST} = V_{IH}$ .
5.  $\overline{OE} = V_{IL}$  for the Right Port, which is being read from.  $\overline{OE} = V_{IH}$  for the Left Port, which is being written to.
6. If  $t_{CCS} \leq$  maximum specified, then data from right port READ is not valid until the maximum specified for  $t_{CWD0}$ . If  $t_{CCS} >$  maximum specified, then data from right port READ is not valid until  $t_{CCS} + t_{CD1}$ .  $t_{CWD0}$  does not apply in this case.

## Timing Waveform with Port-to-Port Flow-Through Read<sup>(4,5,7)</sup>

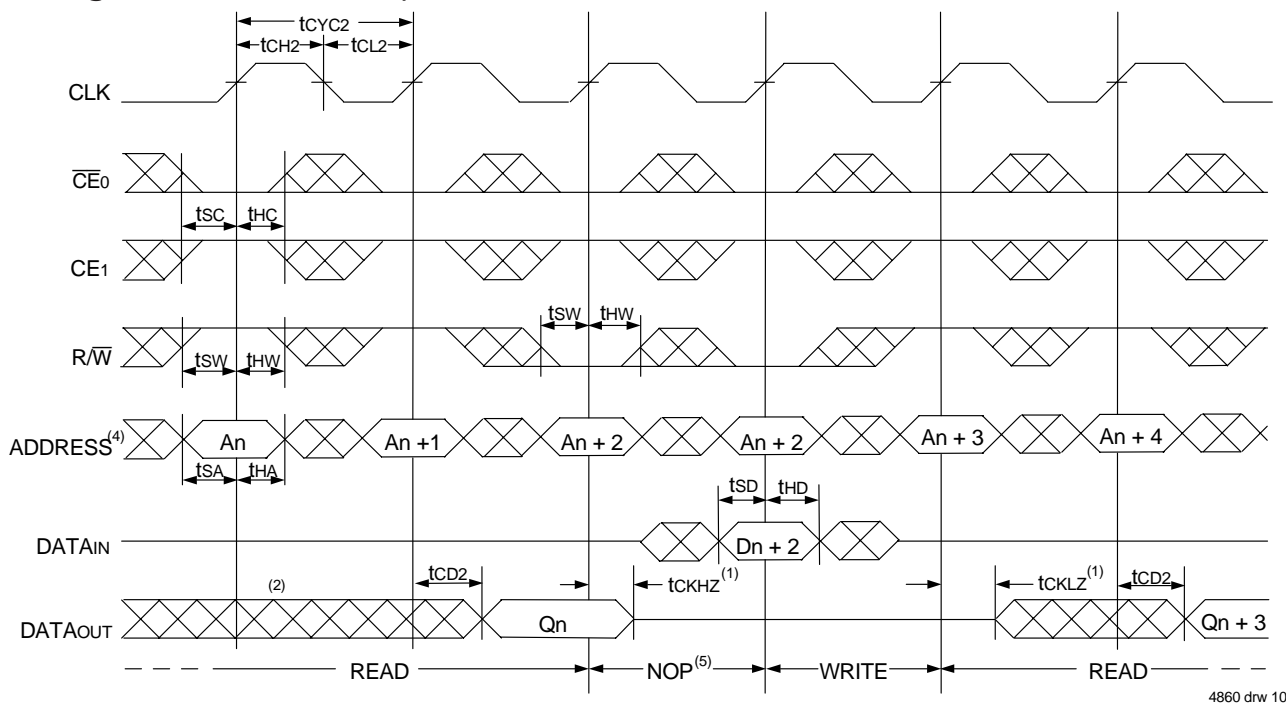


4860 drw 09

### NOTES:

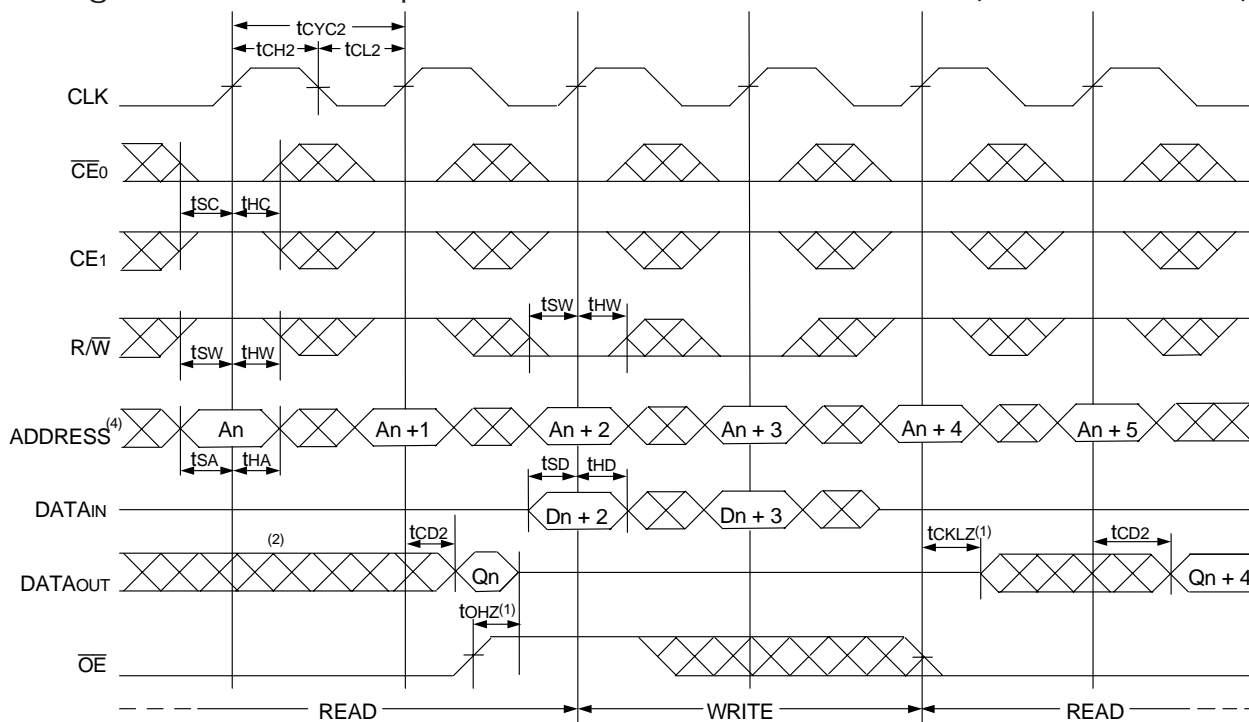
1. B1 Represents Bank #1; B2 Represents Bank #2. Each Bank consists of one IDT70V9179 for this waveform, and are setup for depth expansion in this example. ADDRESS<sub>(B1)</sub> = ADDRESS<sub>(B2)</sub> in this situation.
2.  $\overline{OE}$ , and  $\overline{ADS} = V_{IL}$ ; CE<sub>1(B1)</sub>, CE<sub>1(B2)</sub>, R/W, CNTEN, and CNTRST = V<sub>IH</sub>.
3. Transition is measured 0mV from Low or High-impedance voltage with the Output Test Load (Figure 2).
4.  $\overline{CE0}$  and  $\overline{ADS} = V_{IL}$ ; CE<sub>1</sub>, CNTEN, and CNTRST = V<sub>IH</sub>.
5.  $\overline{OE} = V_{IL}$  for the Right Port, which is being read from.  $\overline{OE} = V_{IH}$  for the Left Port, which is being written to.
6. If tccs ≤ maximum specified, then data from right port READ is not valid until the maximum specified for tcwdd. If tccs > maximum specified, then data from right port READ is not valid until tccs + tcd1. tcwdd does not apply in this case.
7. All timing is the same for both Left and Right ports. Port "A" may be either Left or Right port. Port "B" is the opposite from Port "A".

### Timing Waveform of Pipelined Read-to-Write-to-Read ( $\overline{OE} = V_{IL}$ )<sup>(3)</sup>



4860 drw 10

### Timing Waveform of Pipelined Read-to-Write-to-Read ( $\overline{OE}$ Controlled)<sup>(3)</sup>

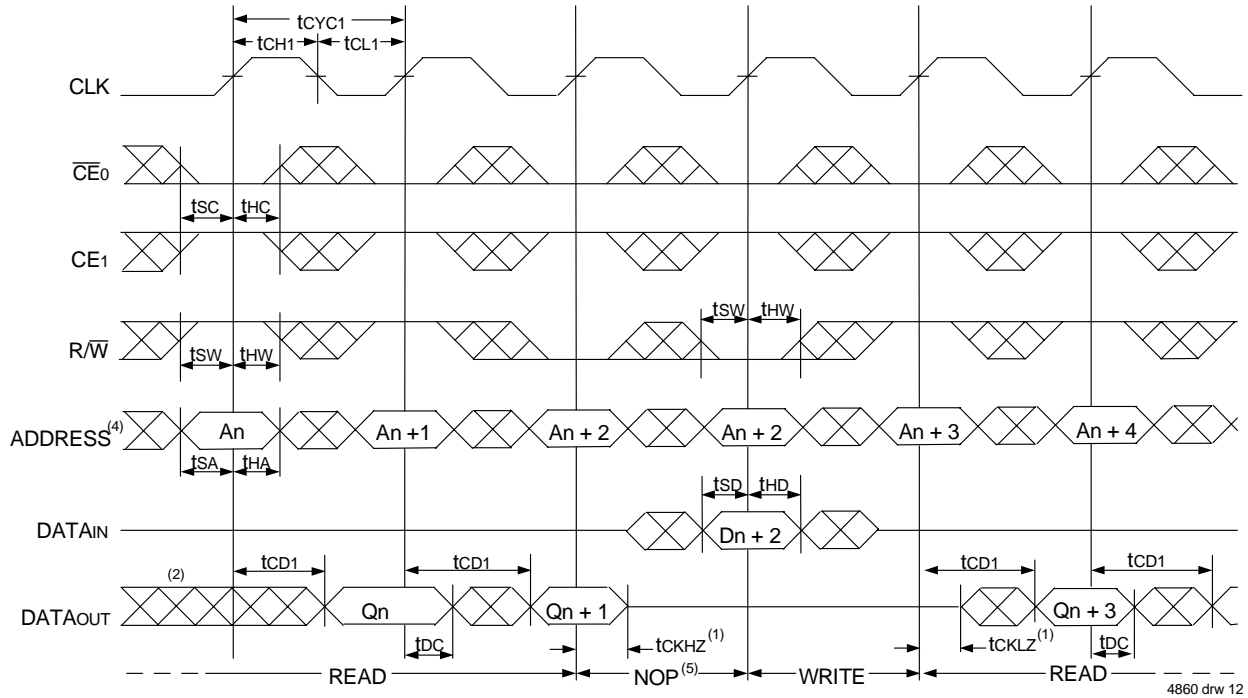


4860 drw 11

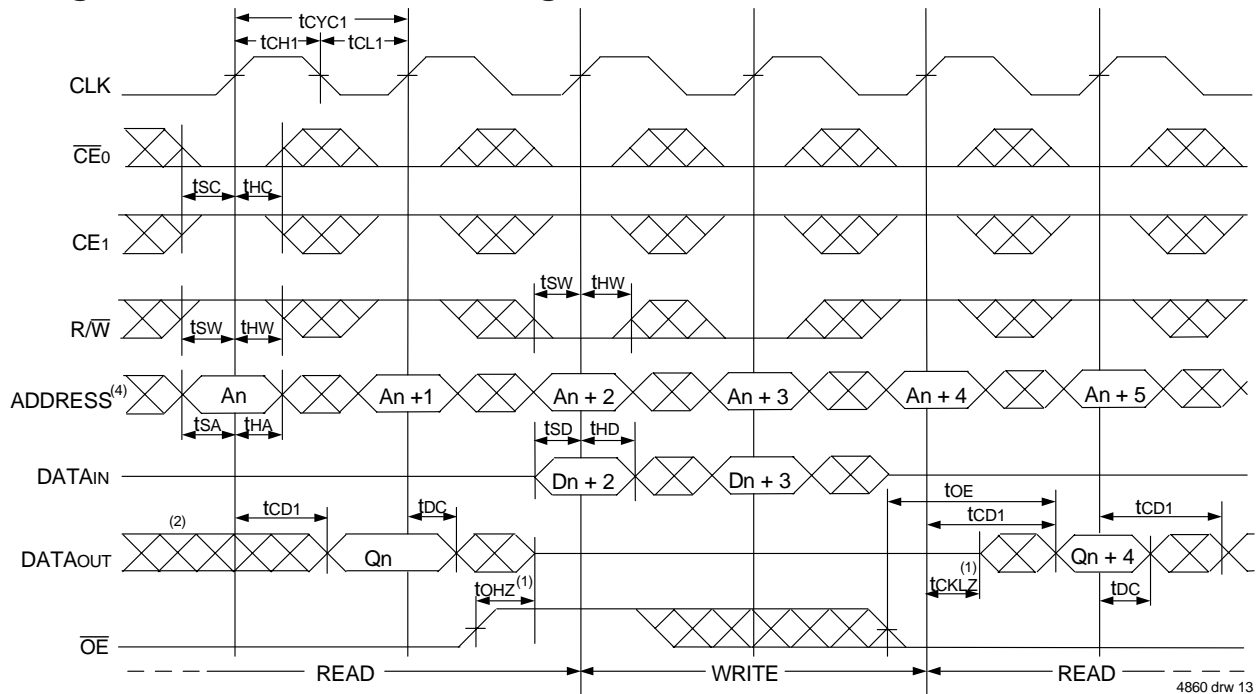
**NOTES:**

1. Transition is measured 0mV from Low or High-impedance voltage with the Output Test Load (Figure 2).
2. Output state (High, Low, or High-impedance) is determined by the previous cycle control signals.
3.  $\overline{CE}_0$  and  $\overline{ADS} = V_{IL}$ ;  $\overline{CE}_1$ ,  $\overline{CNTEN}$ , and  $\overline{CNTRST} = V_{IH}$ . "NOP" is "No Operation".
4. Addresses do not have to be accessed sequentially since  $\overline{ADS} = V_{IL}$  constantly loads the address on the rising edge of the CLK; numbers are for reference use only.
5. "NOP" is "No Operation." Data in memory at the selected address may be corrupted and should be re-written to guarantee data integrity.

### Timing Waveform of Flow-Through Read-to-Write-to-Read ( $\overline{OE} = V_{IL}$ )<sup>(3)</sup>



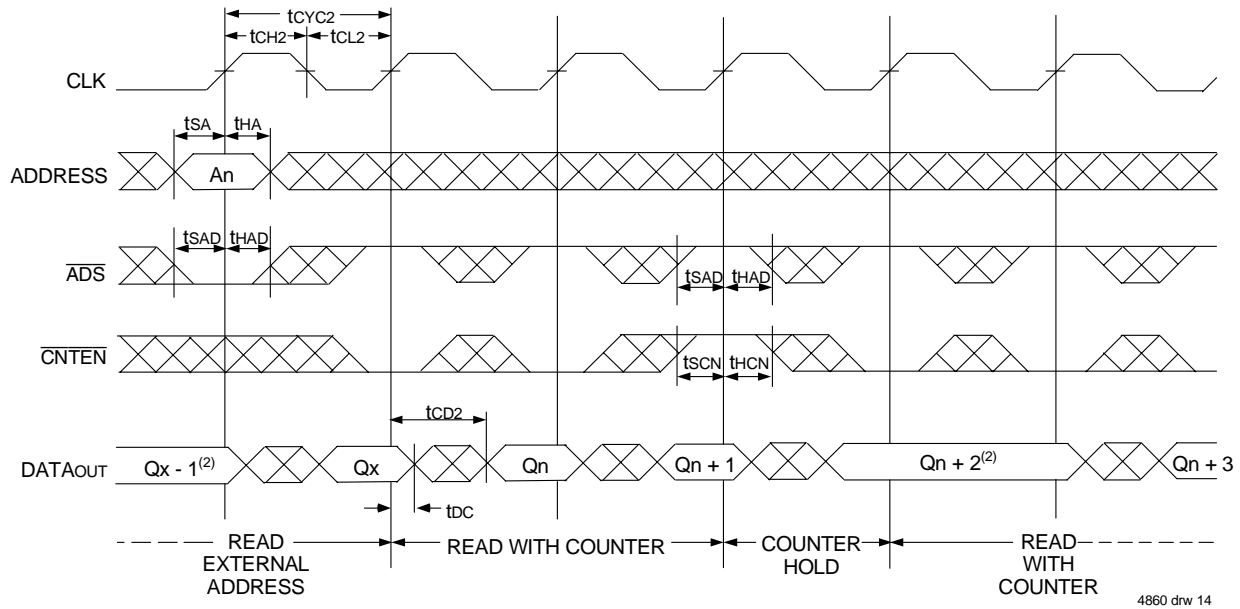
### Timing Waveform of Flow-Through Read-to-Write-to-Read ( $\overline{OE}$ Controlled)<sup>(3)</sup>



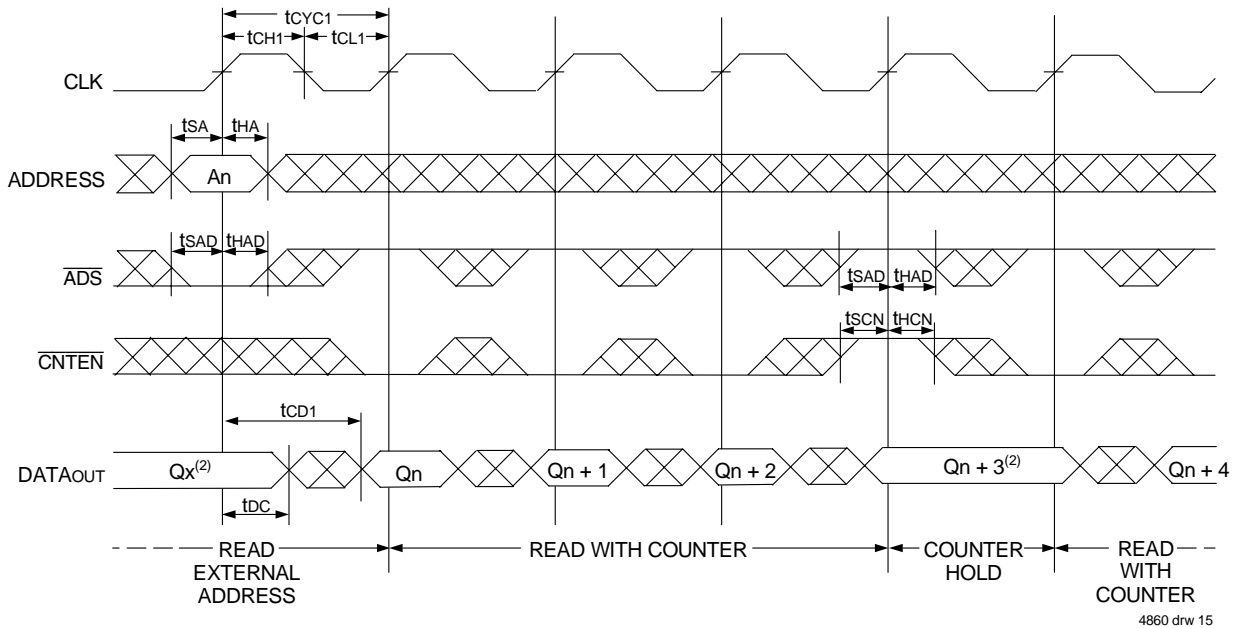
**NOTES:**

1. Transition is measured 0mV from Low or High-impedance voltage with the Output Test Load (Figure 2).
2. Output state (High, Low, or High-impedance) is determined by the previous cycle control signals.
3.  $\overline{CE0}$  and  $\overline{ADS} = V_{IL}$ ;  $\overline{CE1}$ ,  $\overline{CNTEN}$ , and  $\overline{CNTRST} = V_{IH}$ . "NOP" is "No Operation".
4. Addresses do not have to be accessed sequentially since  $\overline{ADS} = V_{IL}$  constantly loads the address on the rising edge of the CLK; numbers are for reference use only.
5. "NOP" is "No Operation." Data in memory at the selected address may be corrupted and should be re-written to guarantee data integrity.

### Timing Waveform of Pipelined Read with Address Counter Advance<sup>(1)</sup>



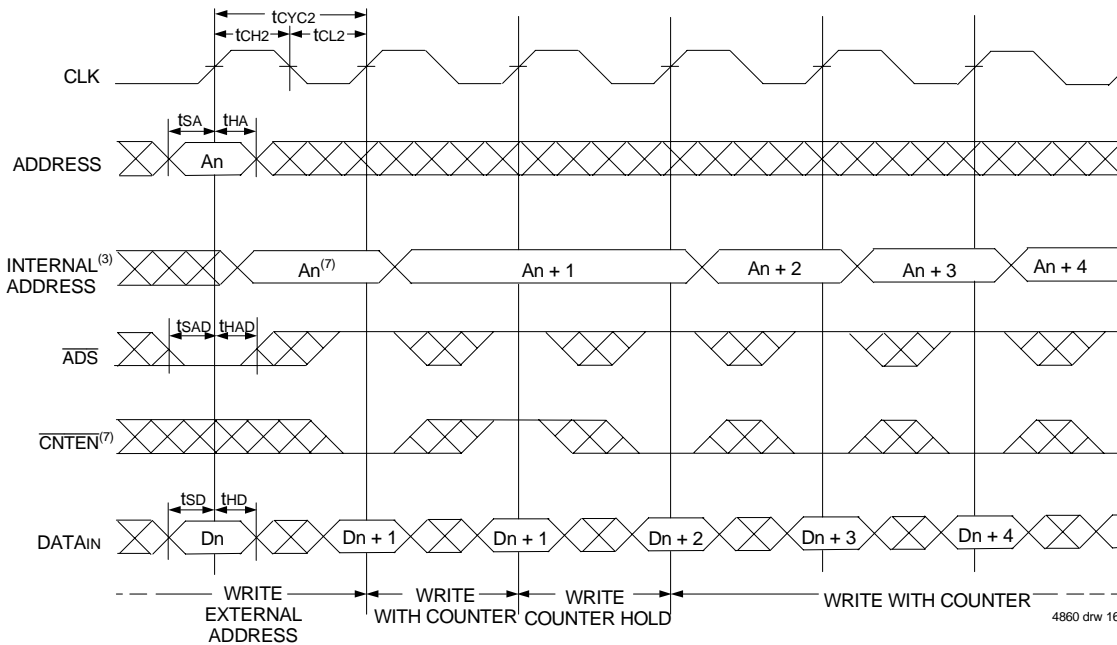
### Timing Waveform of Flow-Through Read with Address Counter Advance<sup>(1)</sup>



**NOTES:**

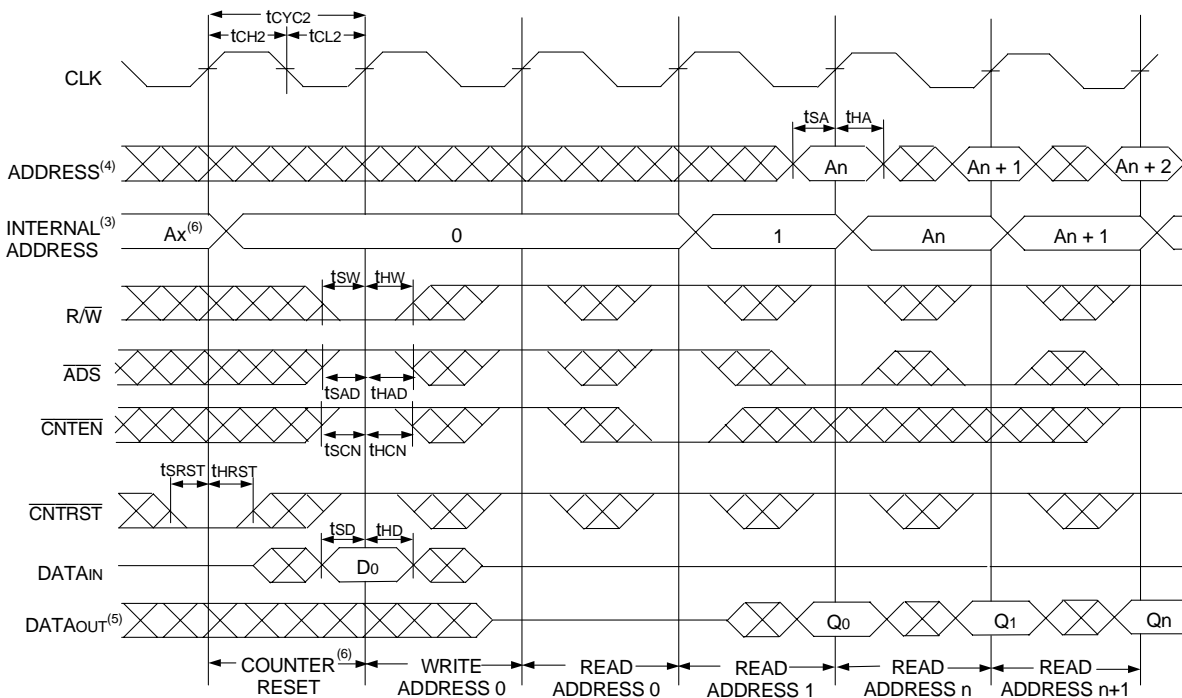
1.  $\overline{CE_0}$  and  $\overline{OE} = V_{IL}$ ;  $CE_1$ ,  $R\overline{W}$ , and  $\overline{CNTRST} = V_{IH}$ .
2. If there is no address change via  $\overline{ADS} = V_{IL}$  (loading a new address) or  $\overline{CNTEN} = V_{IL}$  (advancing the address), i.e.  $\overline{ADS} = V_{IH}$  and  $\overline{CNTEN} = V_{IH}$ , then the data output remains constant for subsequent clocks.

### Timing Waveform of Write with Address Counter Advance (Flow-Through or Pipelined Outputs)<sup>(1)</sup>



4860 drw 16

### Timing Waveform of Counter Reset (Pipelined Outputs)<sup>(2)</sup>



4860 drw 17

**NOTES:**

1.  $\overline{CE}_0$  and  $R/\overline{W} = V_{IL}$ ;  $CE_1$  and  $\overline{CNTRST} = V_{IH}$ .
2.  $\overline{CE}_0 = V_{IL}$ ;  $CE_1 = V_{IH}$ .
3. The "Internal Address" is equal to the "External Address" when  $\overline{ADS} = V_{IL}$  and equals the counter output when  $\overline{ADS} = V_{IH}$ .
4. Addresses do not have to be accessed sequentially since  $\overline{ADS} = V_{IL}$  constantly loads the address on the rising edge of the CLK; numbers are for reference use only.
5. Output state (High, Low, or High-impedance) is determined by the previous cycle control signals.
6. No dead cycle exists during counter reset. A READ or WRITE cycle may be coincidental with the counter reset cycle. ADDR<sub>0</sub> will be accessed. Extra cycles are shown here simply for clarification.
7.  $\overline{CNTEN} = V_{IL}$  advances Internal Address from 'An' to 'An +1'. The transition shown indicates the time required for the counter to advance. The 'An +1' Address is written to during this cycle.

## Functional Description

The IDT70V9179 provides a true synchronous Dual-Port Static RAM interface. Registered inputs provide minimal set-up and hold times on address, data, and all critical control inputs. All internal registers are clocked on the rising edge of the clock signal, however, the self-timed internal write pulse is independent of the LOW to HIGH transition of the clock signal.

An asynchronous output enable is provided to ease asynchronous bus interfacing. Counter enable inputs are also provided to staff the operation of the address counters for fast interleaved memory applications.

$\overline{CE}_0 = V_{IH}$  or  $CE_1 = V_{IL}$  for one clock cycle will power down the internal circuitry to reduce static power consumption. Multiple chip enables allow easier banking of multiple IDT70V9179's for depth expansion configurations. When the Pipelined output mode is enabled, two cycles are required with  $\overline{CE}_0 = V_{IL}$  and  $CE_1 = V_{IH}$  to re-activate the outputs.

## Depth and Width Expansion

The IDT70V9179 features dual chip enables (refer to Truth Table I) in order to facilitate rapid and simple depth expansion with no requirements for external logic. Figure 4 illustrates how to control the various chip enables in order to expand two devices in depth.

The IDT70V9179 can also be used in applications requiring expanded width, as indicated in Figure 4. Since the banks are allocated at the discretion of the user, the external controller can be set up to drive the input signals for the various devices as required to allow for 18-bit or wider applications.

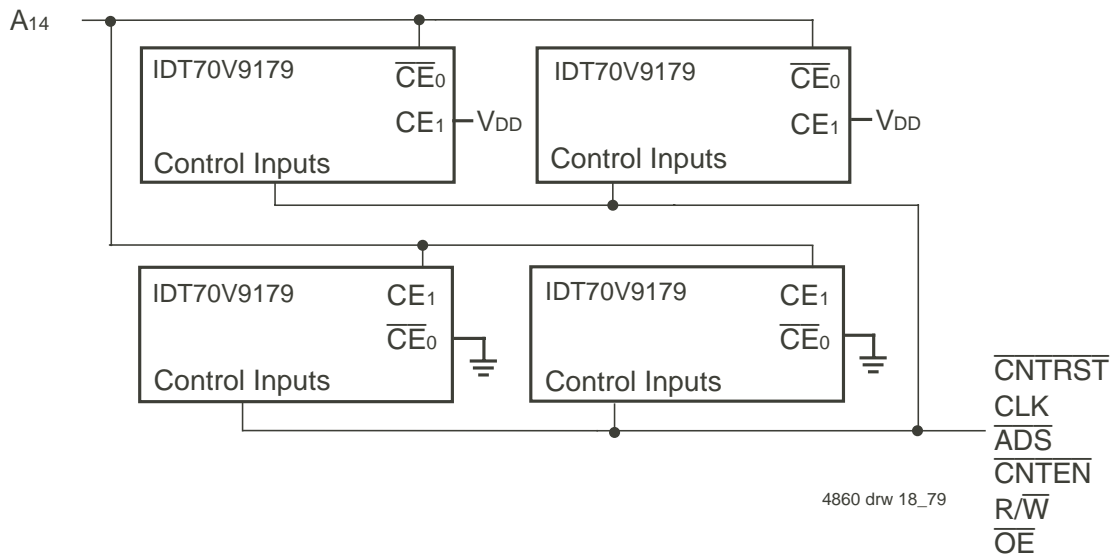
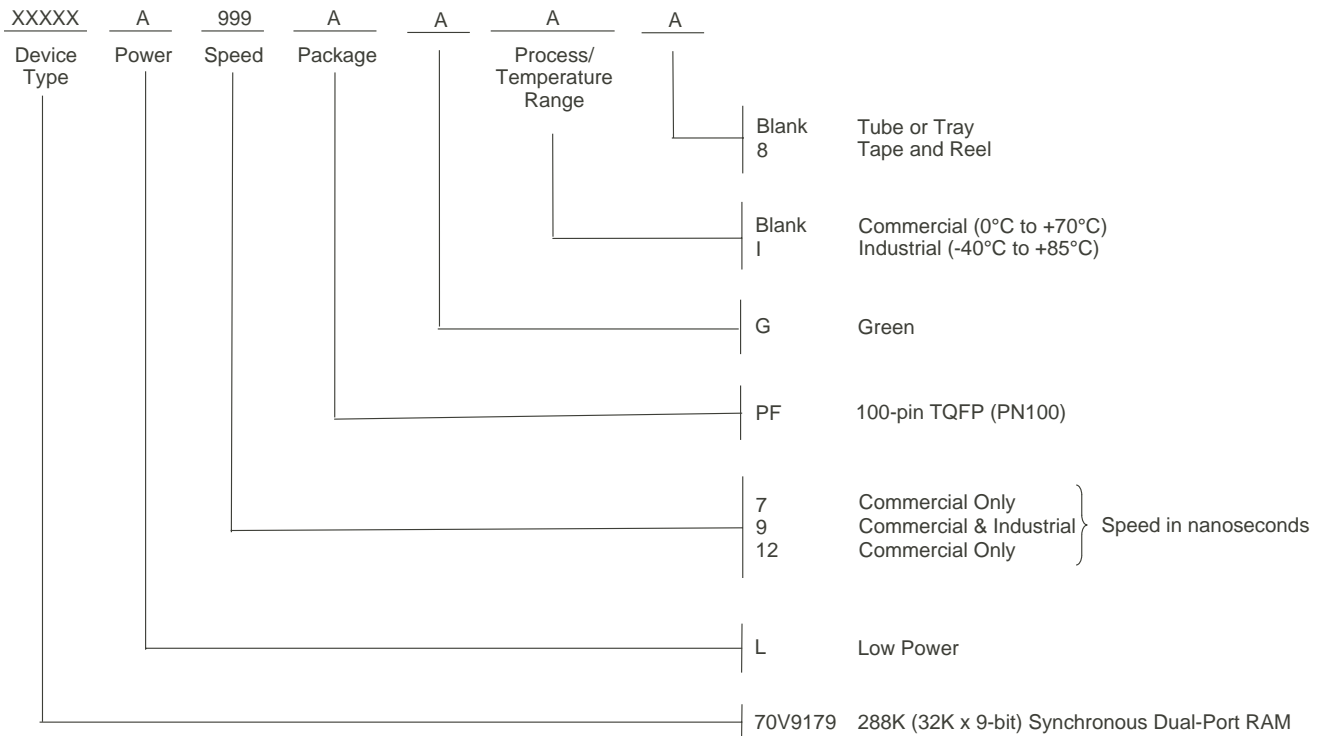


Figure 4. Depth and Width Expansion with IDT70V9179

## Ordering Information



4860d19\_79

LEAD FINISH (SnPb) parts are in EOL process. Product Discontinuation Notice - PDN# SP-17-02

## IDT Clock Solution for IDT70V9179 Dual-Port

IDT Dual-Port Part Number	Dual-Port I/O Specifications		Clock Specifications				IDT PLL Clock Device	IDT Non-PLL Clock Device
	Voltage	I/O	Input Capacitance	Input Duty Cycle Requirement	Maximum Frequency	Jitter Tolerance		
70V9179	3.3	LVTTL	9pF	40%	100	150ps	2305 2308 2309	49FCT3805 49FCT3805D/E 74FCT3807 74FCT3807D/E

4860 tbl 12\_79



## Datasheet Document History

09/30/99:	Initial Public Release
11/12/99:	Replaced IDT logo
01/10/01:	Page 3 Changed information in Truth Table II Page 4 Increased storage temperature parameters Clarified TA parameter Page 5 DC Electrical parameters—changed wording from "open" to "disabled" Changed $\pm 200\text{mV}$ to $0\text{mV}$ in notes Removed Preliminary status
01/15/04:	Consolidated multiple devices into one datasheet Changed naming conventions from VCC to VDD and from GND to VSS Removed I-temp footnote Page 2 Added date revision to pin configuration Page 4 Added Junction Temperature to Absolute Maximum Ratings Table Added Ambient Temperature footnote Page 5 Added I-temp numbers for 9ns speed to the DC Electrical Characteristics Table Added 6ns speed DC power numbers to the DC Electrical Characteristics Table Page 7 Added I-temp for 9ns speed to AC Electrical Characteristics Table Added 6ns speed AC timing numbers to the AC Electrical Characteristics Table Page 15 Added 6ns speed grade and 9ns I-temp to ordering information Added IDT Clock Solution Table
01/29/09:	Page 16 Removed "IDT" from orderable part number
01/27/14:	Page 1 Added green availability to Features Page 1 Removed 6.5ns commercial speed, downgraded the clock from 6.5ns to 7.5ns, the cycle time from 10ns to 12.5ns and downgraded the operation from 100MHz to 83MHz data access in Pipelined output mode in the Features Page 1 Changed the maximum number of addresses for both the L and R from A15 to A14 in the Functional Block Diagram Page 2 Changed the A15L & A15R to NC in the 70V9179PF PN100 Pin Configuration and updated footnotes Page 3 Updated Left Port A15L to A14L & Right Port A15R to A14R in the Pin Names Table and updated the footnotes Page 6 Corrected a typo Pages 5 & 7 Removed the 6ns speed grade Commercial Only from the DC Electrical and the AC Electrical Tables Page 9 Corrected a typo Page 15 Changed the maximum number of addresses for A15 to A14 in the Depth and Width Expansion Diagram Page 16 Added Green and T&R indicators to and removed 6ns speed grade Commercial Only from Ordering Information
02/21/18:	Product Discontinuation Notice - PDN# SP-17-02 Last time buy expires June 15, 2018


**CORPORATE HEADQUARTERS**

6024 Silver Creek Valley Road  
San Jose, CA 95138

**for SALES:**

800-345-7015 or 408-284-8200  
fax: 408-284-2775  
www.idt.com

**for Tech Support:**

408-284-2794  
DualPortHelp@idt.com

The IDT logo is a registered trademark of Integrated Device Technology, Inc.