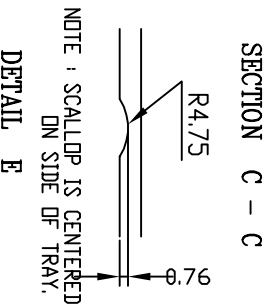
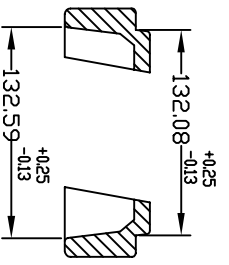
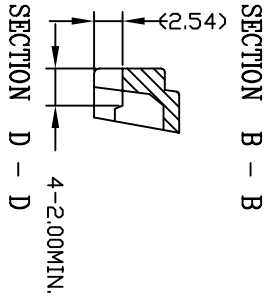
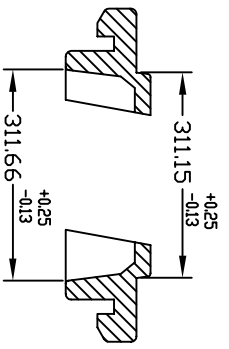
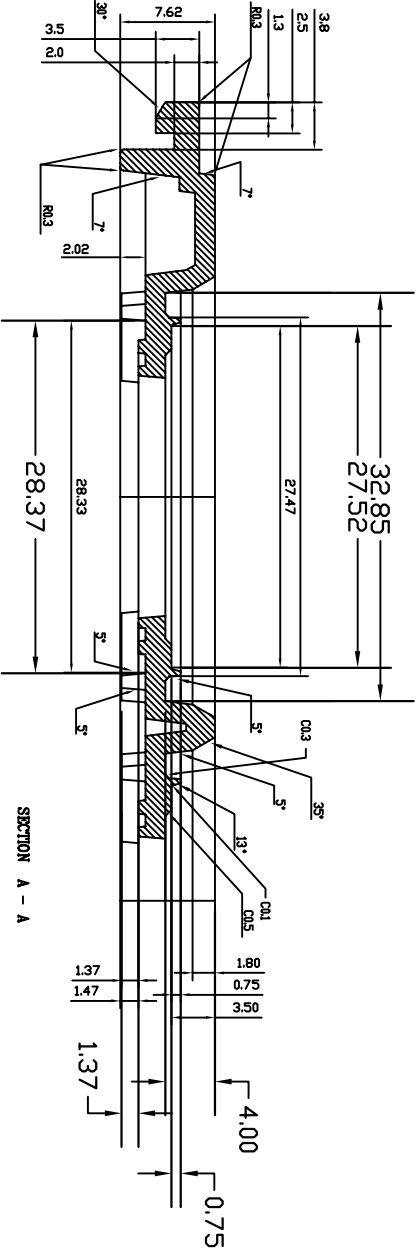
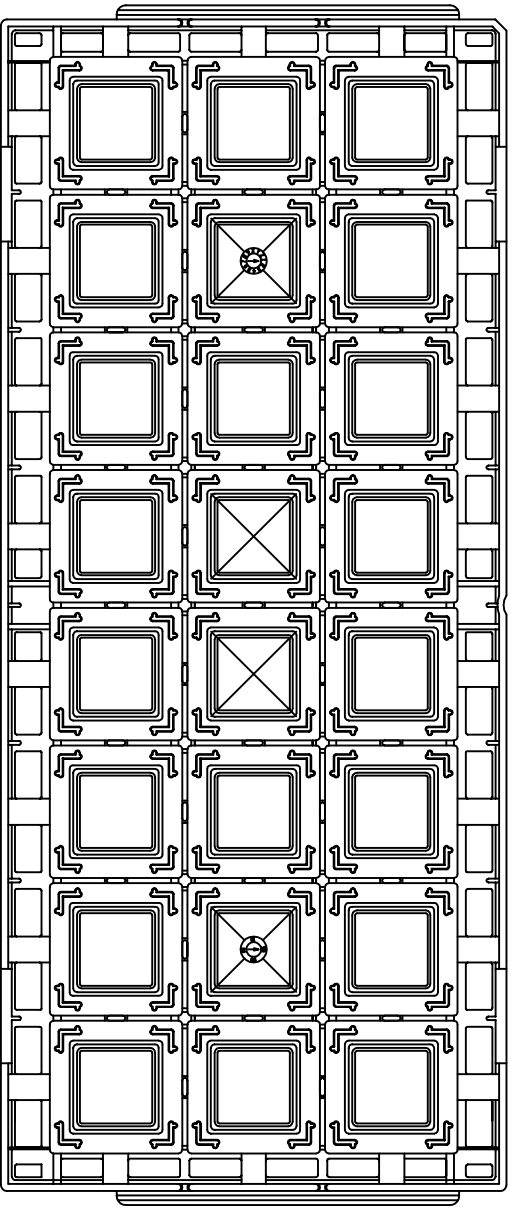


BACK VIEW



NOTE : SCALLP IS CENTERED ON SIDE OF TRAY.

TOLERANCES UNLESS OTHERWISE SPECIFIED		ANGLE	
DECIMAL	±	°	±
XX	± 0.25	5°	± 5°
XX	± 0.13		
XX	± 0.13		
APPROVALS		DATE	
DRAWN			
TITLE: MQFP/PQFP 28x28x3.4 MM SHIPPING TRAY			
STOCK NO. N/A		DRAWING NO. MSC-5813-A	
DO NOT SCALE DRAWING		SHEET 2 OF 2	

6024 Silver Creek Valley Road,
San Jose, CA 95138
PHONE: (408) 284-8200
FAX: (408) 284-3572

www.IDT.com