

TOLERANCES UNLESS OTHERWISE SPECIFIED
 DECIMAL : X ±.25
 .XX ±.13
 .XXX ±.13
 ANGLE : ±.5°
 ANGULAR : ±



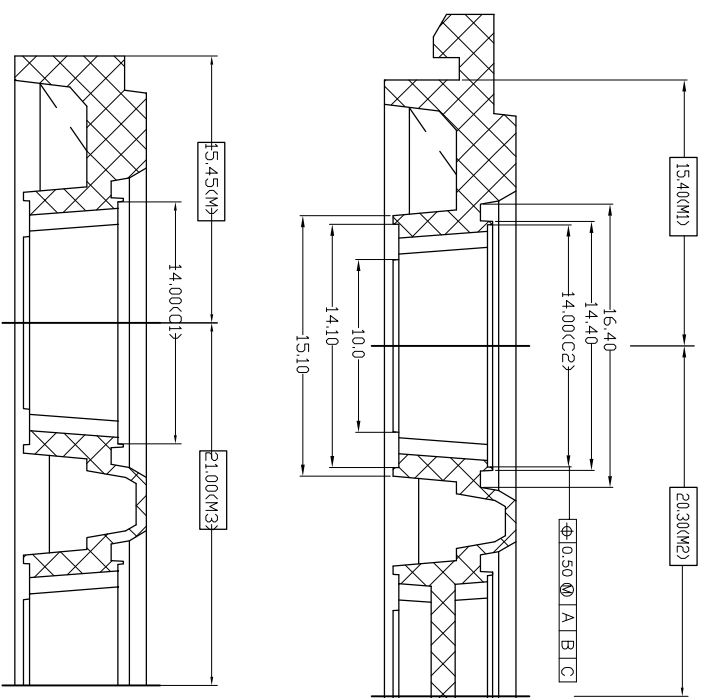
6024 Silver Creek Valley Road,
 San Jose, CA 95138
 PHONE: (408) 284-8200
 FAX: (408) 284-3572

WWW.IDT.COM

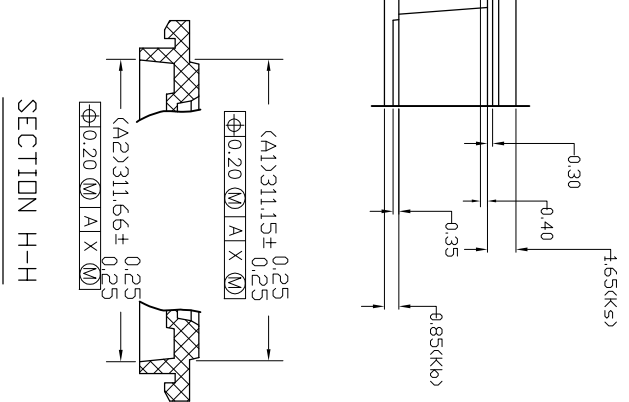
TITLE:
 EM/EMG 100/128 & EV/ENG
 128 SHIPPING TRAY

STOCK NO. N/A
 DRAWING NO. MSC-5827-A
 REV 00

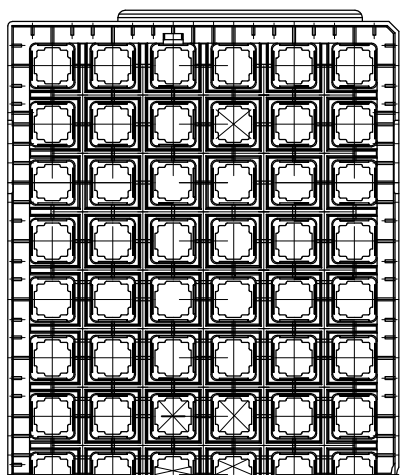
SCALE N/A
 DO NOT SCALE DRAWING SHEET 1 OF 2



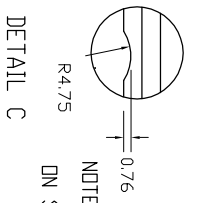
SECTION A-A



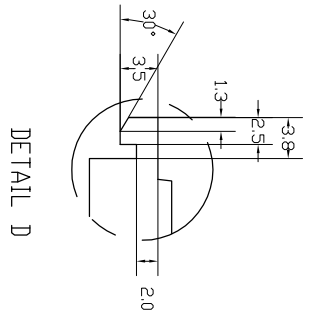
SECTION H-H



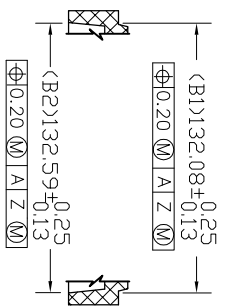
BOTTOM VIEW



NOTE: SCALLOP IS CENTERED ON SIDE OF TRAY



DETAIL D



SECTION J-J

TOLERANCES UNLESS OTHERWISE SPECIFIED
 DECIMAL : X ±.25
 .XX ±.13
 .XXX ±.13
 ANGLE : ±.5°
 ANGULAR : ±



6024 Silver Creek Valley Road,
 San Jose, CA 95138
 PHONE: (408) 284-8200
 FAX: (408) 284-3572

WWW.IDT.COM

TITLE:
 EM/EMG 100/128 & EV/EVG
 128 SHIPPING TRAY

STOCK NO. N/A
 DRAWING NO. MSC-5827-A
 REV N/A

SCALE N/A
 DO NOT SCALE DRAWING SHEET 2 OF 2